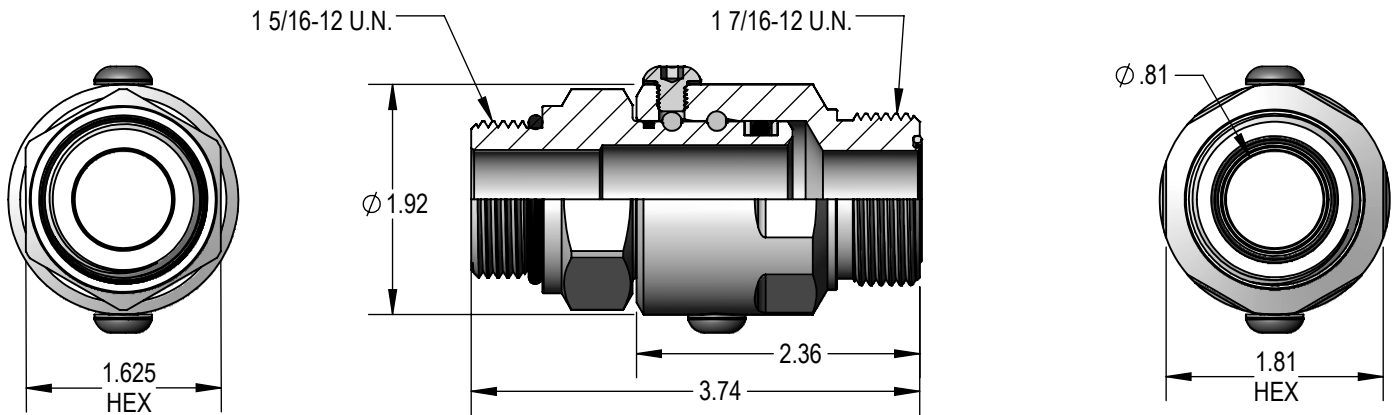


16 Male O-Ring (O.R.B.) X Male Face Seal (M.F.S.)



PART NUMBER
SS 16 DB MO 16 X MFS 16

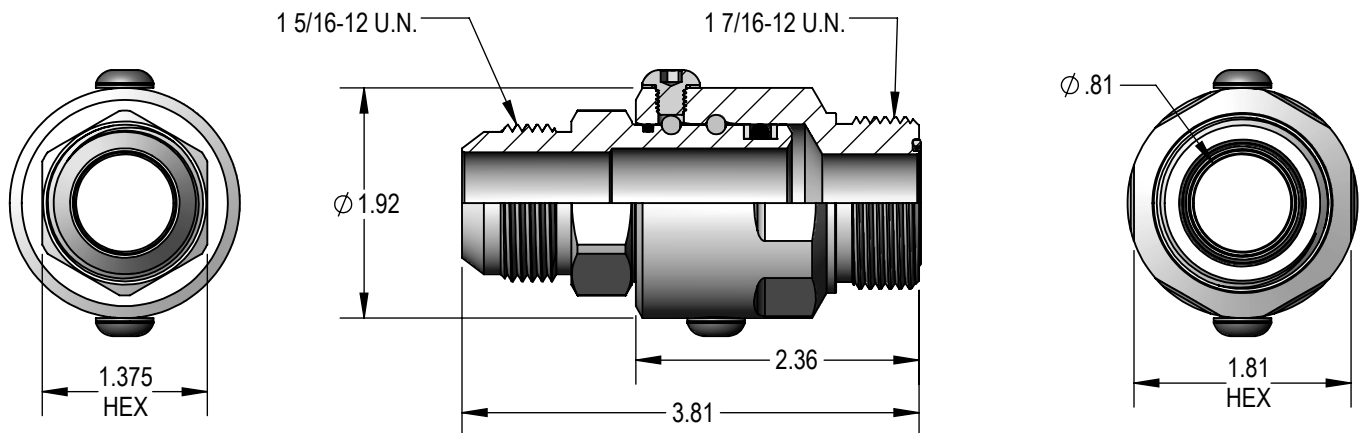
MAXIMUM P.S.I.G.
4,500

Not Available
 In Stainless Steel!

*Extra Heavy Duty
 Multiple Bearing Race*



16 Male J.I.C. (37°) X Male Face Seal (M.F.S.)



PART NUMBER
SS 16 DB MJ 16 X MFS 16

MAXIMUM P.S.I.G.
4,500

Not Available
 In Stainless Steel!