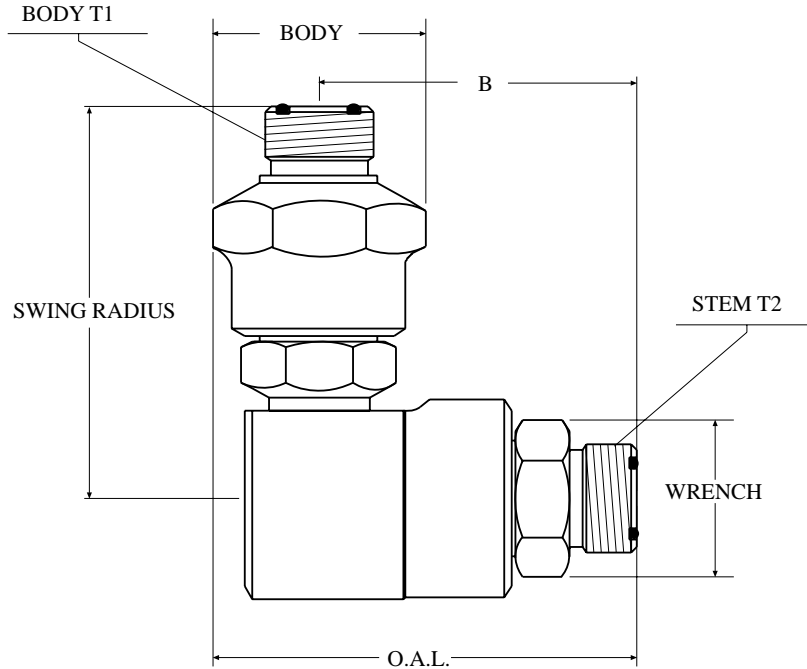


# 90° DUAL PLANE Swivels



## Male Face Seal(M.F.S.) x Male Face Seal(M.F.S.)

Not Available  
In Stainless Steel!



PART NUMBER	O.A.L.	B DIM.	BODY	WRENCH	BODY T1	STEM T2	SWING RADIUS	MAX PSI	THRU HOLE
9 DP 4 MFS 6 X MFS 6	2.753	2.176	1.000	0.75	11/16-16 UN	11/16-16 UN	2.609	5000	0.250
9 DP 8 MFS 8 X MFS 8	3.155	2.362	1.375	1.000	13/16-16 UN	13/16-16 UN	2.912	5000	0.297
9 DP 8 MFS 10 X MFS 10	3.351	2.558	1.375	1.125	1-14 UN	1-14 UN	3.018	5000	0.297
9 DP 12 MFS 12 X MFS 12	3.610	2.745	1.500	1.250	1 3/16-12 UN	1 3/16-12 UN	3.239	4500	0.391
9 DP 16 MFS 16 X MFS 16	4.274	3.316	1.750	1.500	1 7/16-12 UN	1 7/16-12 UN	3.970	4000	0.484
9 DP 20 MFS 20 X MFS 20	4.827	3.649	2.125	1.750	1 11/16-12 UN	1 11/16-12 UN	4.446	4000	0.718
9 DP 24 MFS 24 X MFS 24	5.982	4.709	2.375	2.125	2-12 UN	2-12 UN	5.116	4000	0.844