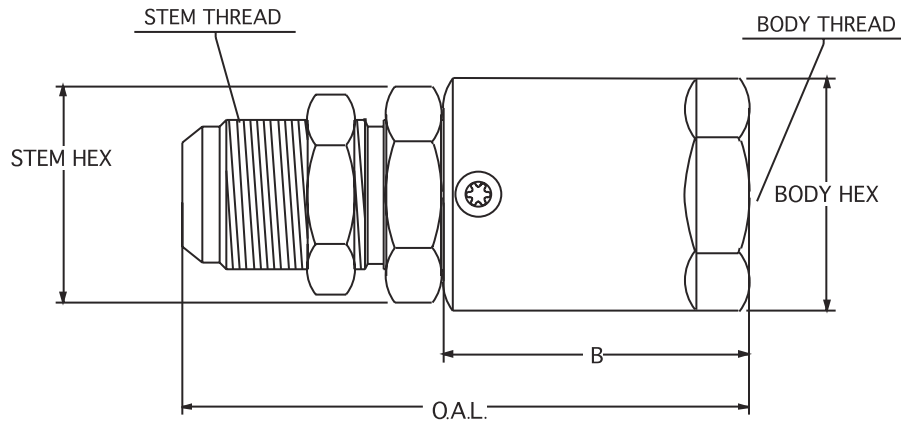


Male J.I.C. Bulkhead (37°) x Female J.I.C. (37°)



Not Available
In Stainless Steel!

PART NUMBER	O.A.L.	DIM. B	STEM THREAD	BODY THREAD	STEM HEX	BODY HEX/WRENCH	BODY DIA.	MAX P.S.I.G.	THROUGH HOLE
SS 8 MJB 8 X FJ 8	3.770	1.950	3/4-16 U.N.	3/4-16 U.N.	1.000	1.375	1.480	5000	0.406
SS 8 MJB 10 X FJ 10	4.090	2.050	7/8-14 U.N.	7/8-14 U.N.	1.125	1.375	1.480	5000	0.484
SS 12 MJB 12 X FJ 12	4.425	2.145	1 1/16-12 U.N.	1 1/16-12 U.N.	1.375	1.625	1.675	4500	0.609
SS 16 MJB 16 X FJ 16	4.926	2.646	1 5/16-12 U.N.	1 5/16-12 U.N.	1.625	1.750	1.917	4000	0.844
SS 20 MJB 20 X FJ 20	5.290	2.850	1 5/8-12 U.N.	1 5/8-12 U.N.	1.875	2.125	2.357	4000	1.078