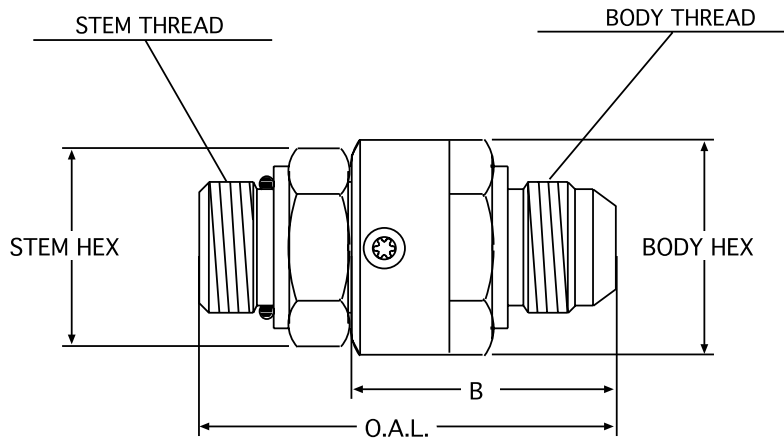


Male O-Ring (O.R.B.) x Male J.I.C. (37°)



Not Available
In Stainless Steel!

PART NUMBER	O.A.L	DIM. B	STEM THREAD	BODY THREAD	STEM HEX	BODY HEX/WRENCH	BODY DIA.	MAX P.S.I.G.	THROUGH HOLE
SS 4 MO 4 X MJ 4	2.540	1.720	7/16-20 U.N.	7/16-20 U.N.	0.625	1.000		5000	0.172
SS 4 MO 6 X MJ 6	2.540	1.720	9/16-18 U.N.	9/16-18 U.N.	0.750	1.000		5000	0.250
SS 8 MO 8 X MJ 8	2.838	1.900	3/4-16 U.N.	3/4-16 U.N.	1.000	1.375	1.480	5000	0.406
SS 8 MO 10 X MJ 8	2.960	1.900	7/8-14 U.N.	3/4-16 U.N.	1.000	1.375	1.480	5000	0.406
SS 8 MO 10 X MJ 10	3.110	2.050	7/8-14 U.N.	7/8-14 U.N.	1.000	1.375	1.492	5000	0.484
SS 12 MO 12 X MJ 12	3.349	2.125	1 ¹ / ₁₆ -12 U.N.	1 ¹ / ₁₆ -12 U.N.	1.375	1.500	1.675	4500	0.609
SS 16 MO 16 X MJ 16	4.024	2.650	1 ⁵ / ₁₆ -12 U.N.	1 ⁵ / ₁₆ -12 U.N.	1.625	1.750	1.917	4000	0.827
SS 20 MO 20 X MJ 20	4.315	2.850	1 ⁵ / ₈ -12 U.N.	1 ⁵ / ₈ -12 U.N.	1.875	2.125	2.357	4000	1.078
SS 24 MO 24 X MJ 24	5.039	3.444	1 ⁷ / ₈ -12 U.N.	1 ⁷ / ₈ -12 U.N.	2.120	2.375	2.547	4000	1.312