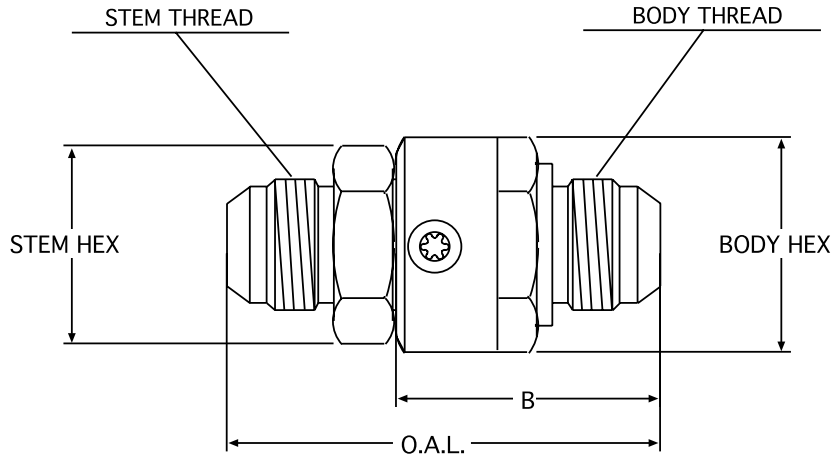


## Male J.I.C. (37°) x Male J.I.C. (37°)



Not Available  
In Stainless Steel!

PART NUMBER	O.A.L.	DIM. B	STEM THREAD	BODY THREAD	STEM HEX	BODY HEX/WRENCH	BODY DIA.	MAX P.S.I.G.	THROUGH HOLE
SS 4 MJ 4 X MJ 4	2.650	1.720	7/16-20 U.N.	7/16-20 U.N.	0.750	1.000		5000	0.172
SS 4 MJ 6 X MJ 6	2.670	1.720	9/16-18 U.N.	9/16-18 U.N.	0.750	1.000		5000	0.250
SS 8 MJ 8 X MJ 8	2.985	1.900	3/4-16 U.N.	3/4-16 U.N.	1.000	1.375	1.480	5000	0.406
SS 8 MJ 10 X MJ 10	3.235	2.050	7/8-14 U.N.	7/8-14 U.N.	1.000	1.375	1.480	5000	0.484
SS 12 MJ 12 X MJ 12	3.485	2.125	1 1/16-12 U.N.	1 1/16-12 U.N.	1.375	1.500	1.675	4500	0.609
SS 16 MJ 16 X MJ 16	4.095	2.650	1 5/16-12 U.N.	1 5/16-12 U.N.	1.625	1.750	1.917	4000	0.827
SS 20 MJ 20 X MJ 20	4.395	2.850	1 5/8-12 U.N.	1 5/8-12 U.N.	1.750	2.125	2.357	4000	1.078
SS 24 MJ 24 X MJ 24	5.209	3.444	1 7/8-12 U.N.	1 7/8-12 U.N.	2.125	2.375	2.557	4000	1.312