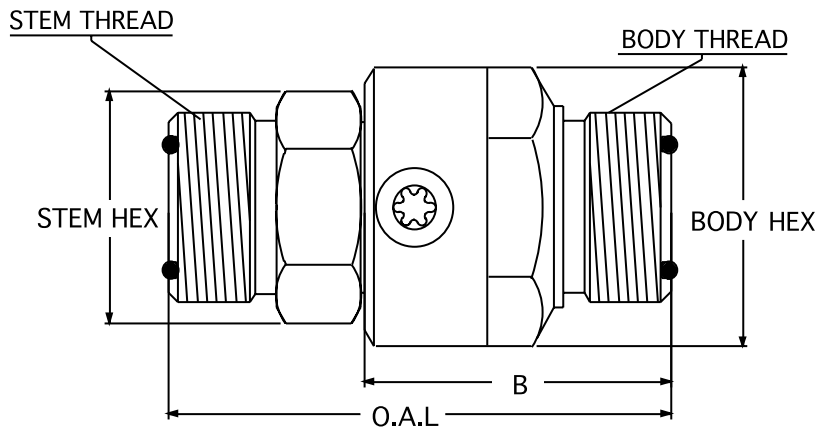


# Male Face Seal (M.F.S.) x Male Face Seal (M.F.S.)



Not Available  
In Stainless Steel!

| PART NUMBER           | O.A.L. | DIM. B | STEM THREAD                              | BODY THREAD                              | STEM HEX | BODY HEX/WRENCH | MAX P.S.I.G. | THROUGH HOLE |
|-----------------------|--------|--------|--|--|----------|-----------------|--------------|--------------|
| SS 4 MFS 6 X MFS 6    | 2.421  | 1.640  | 11/16-16 U.N.                            | 11/16-16 U.N.                            | 0.750    | 1.000           | 5000         | .250         |
| SS 8 MFS 8 X MFS 8    | 2.633  | 1.709  | 13/16-16 U.N.                            | 13/16-16 U.N.                            | 1.000    | 1.375           | 5000         | .390         |
| SS 8 MFS 10 X MFS 10  | 2.935  | 1.815  | 1-14 U.N.                                | 1-14 U.N.                                | 1.125    | 1.375           | 5000         | .484         |
| SS 12 MFS 12 X MFS 12 | 3.120  | 1.900  | 1 <sup>3</sup> / <sub>16</sub> -12 U.N.  | 1 <sup>3</sup> / <sub>16</sub> -12 U.N.  | 1.250    | 1.500           | 4500         | .609         |
| SS 16 MFS 16 X MFS 16 | 3.639  | 2.360  | 1 <sup>7</sup> / <sub>16</sub> -12 U.N.  | 1 <sup>7</sup> / <sub>16</sub> -12 U.N.  | 1.500    | 1.750           | 4000         | .811         |
| SS 20 MFS 20 X MFS 20 | 3.859  | 2.500  | 1 <sup>11</sup> / <sub>16</sub> -12 U.N. | 1 <sup>11</sup> / <sub>16</sub> -12 U.N. | 1.750    | 2.125           | 4000         | 1.024        |
| SS 24 MFS 24 X MFS 24 | 4.479  | 3.050  | 2-12 U.N.                                | 2-12 U.N.                                | 2.125    | 2.375           | 4000         | 1.312        |