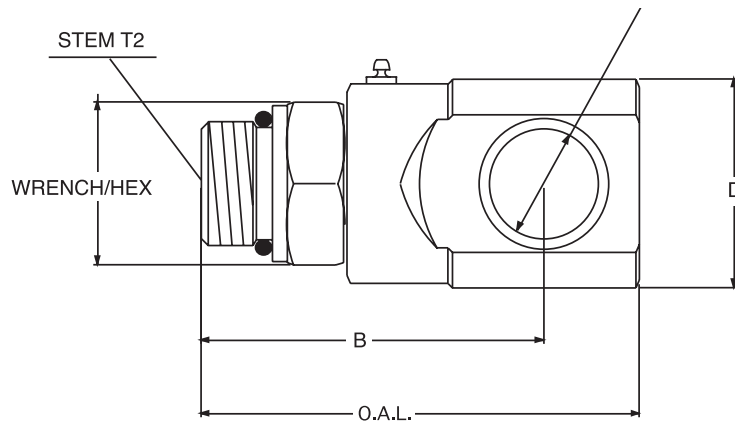


Male O-Ring (O.R.B.) x Female Pipe (N.P.T.)



Not Available
In Stainless Steel!

PART NUMBER	O.A.L.	DIM. B	DIM. D Ø	WRENCH/HEX	PORT T1	STEM T2	SWG. RADIUS	MAX. P.S.I.G.	THROUGH HOLE
9 SS 4 MO 4 X FP 25	2.682	2.315	1.192	0.625	1/4-18 N.P.T.	7/16-20 U.N.	0.525	5000	0.172
9 SS 4 MO 6 X FP 25	2.682	2.315	1.192	0.750	1/4-18 N.P.T.	9/16-18 U.N.	0.525	5000	0.250
9 SS 8 MO 8 X FP 38	2.923	2.376	1.495	1.000	3/8-18 N.P.T.	3/4-16 U.N.	0.588	5000	0.391
9 SS 8 MO 10 X FP 38	3.045	2.498	1.495	1.000	3/8-18 N.P.T.	7/8-14 U.N.	0.588	5000	0.484
9 SS 8 MO 8 X FP 50	2.923	2.376	1.495	1.000	1/2-14 N.P.T.	3/4-16 U.N.	0.588	5000	0.391
9 SS 8 MO 10 X FP 50	3.045	2.498	1.495	1.000	1/2-14 N.P.T.	7/8-14 U.N.	0.588	5000	0.484
9 SS 12 MO 12 X FP 75	3.419	2.754	1.710	1.375	3/4-14 N.P.T.	1 ¹ / ₁₆ -12 U.N.	0.643	4500	0.609
9 SS 16 MO 16 X FP 100	4.424	3.616	2.162	1.625	1-11 ¹ / ₂ N.P.T.	1 ⁵ / ₁₆ -12 U.N.	0.827	4000	0.827
9 SS 20 MO 20 X FP 125	4.833	3.865	2.702	1.875	1 ¹ / ₄ -11 ¹ / ₂ N.P.T.	1 ⁵ / ₈ -12 U.N.	1.049	4000	1.078
9 SS 24 MO 24 X FP 150	6.105	4.875	2.917	2.125	1 ¹ / ₂ -11 ¹ / ₂ N.P.T.	1 ⁷ / ₈ -12 U.N.	1.076	4000	1.312