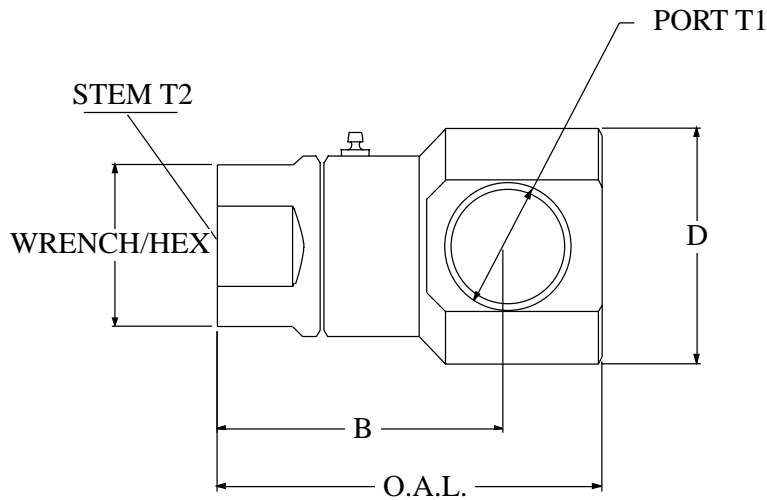


Female Pipe (N.P.T.) x Female O-Ring (O.R.B.)



Not Available
In Stainless Steel!

PART NUMBER	O.A.L.	DIM. B	DIM. D Ø	WRENCH/HEX	PORT T1	STEM T2	SWG. RADIUS	MAX. P.S.I.G.	THROUGH HOLE
9 SS 4 FP 25 X FO 6	2.757	2.245	1.292	0.875	9/16-18 U.N.	1/4-18 N.P.T.	0.541	5000	0.250
9 SS 8 FP 38 X FO 8	3.138	2.544	1.662	1.125	3/4-16 U.N.	3/8-18 N.P.T.	0.703	5000	0.530
9 SS 8 FP 50 X FO 8	3.138	2.544	1.662	1.250	3/4-16 U.N.	1/2-14 N.P.T.	0.703	5000	0.530
9 SS 12 FP 75 X FO 12	3.470	2.645	2.172	1.500	1 1/16-12 U.N.	3/4-14 N.P.T.	0.900	4500	0.609
9 SS 16 FP 100 X FO 16	4.425	3.510	2.482	1.750	1 5/16-12 U.N.	1-11 1/2 N.P.T.	1.009	4000	0.827
9 SS 20 FP 125 X FO 20	5.042	3.959	2.977	2.125	1 5/8-12 U.N.	1 1/4-11 1/2 N.P.T.	1.185	4000	1.181