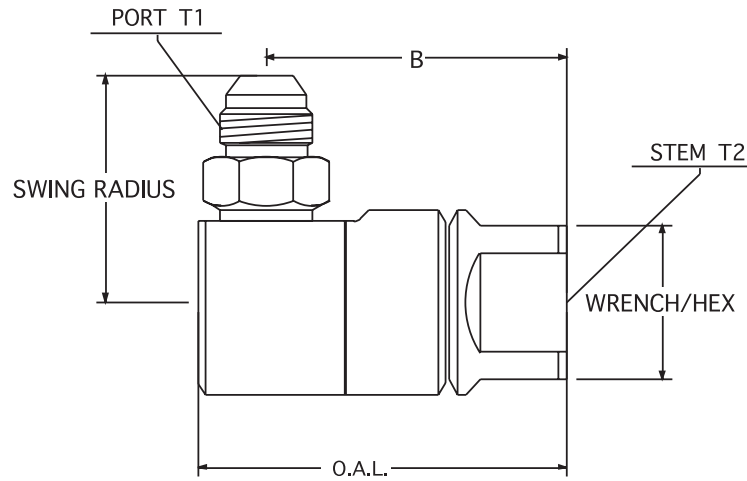


## Female Pipe (N.P.T.) x Male J.I.C. (37°)



Not Available  
In Stainless Steel!

PART NUMBER	O.A.L.	DIM. B	WRENCH/HEX	PORT T1	STEM T2	SWG. RADIUS	MAX. P.S.I.G.	THROUGH HOLE
9 SS 4 FP 25 X MJ 4	2.757	2.245	0.870	7/16-20 U.N.	1/4-18 N.P.T.	1.454	3500	0.170
9 SS 4 FP 25 X MJ 6	2.757	2.245	0.875	9/16-18 U.N.	1/4-18 N.P.T.	1.454	3500	0.250
9 SS 8 FP 38 X MJ 6	2.970	2.423	1.120	9/16-18 U.N.	3/8-18 N.P.T.	1.581	3500	0.290
9 SS 8 FP 38 X MJ 8	2.970	2.423	1.120	3/4-16 U.N.	3/8-18 N.P.T.	1.712	3500	0.297
9 SS 8 FP 50 X MJ 8	2.970	2.423	1.245	3/4-16 U.N.	1/2-14 N.P.T.	1.712	3500	0.297
9 SS 8 FP 50 X MJ 10	3.000	2.423	1.245	7/8-14 U.N.	1/2-14 N.P.T.	1.978	3500	0.297
9 SS 12 FP 75 X MJ 12	3.294	2.645	1.495	1 <sup>1</sup> / <sub>16</sub> -12 U.N.	3/4-14 N.P.T.	2.288	3500	0.385
9 SS 16 FP 100 X MJ 16	4.005	3.212	1.745	1 <sup>5</sup> / <sub>16</sub> -12 U.N.	1-11 <sup>1</sup> / <sub>2</sub> N.P.T.	2.384	3500	0.550
9 SS 20 FP 125 X MJ 20	4.680	3.670	2.120	1 <sup>5</sup> / <sub>8</sub> -12 U.N.	1 <sup>1</sup> / <sub>4</sub> -11 <sup>1</sup> / <sub>2</sub> N.P.T.	2.970	3500	0.827
9 SS 24 FP 150 X MJ 24	5.890	4.660	2.375	1 <sup>7</sup> / <sub>8</sub> -12 U.N.	1 <sup>1</sup> / <sub>2</sub> -11 <sup>1</sup> / <sub>2</sub> N.P.T.	3.097	3500	0.944