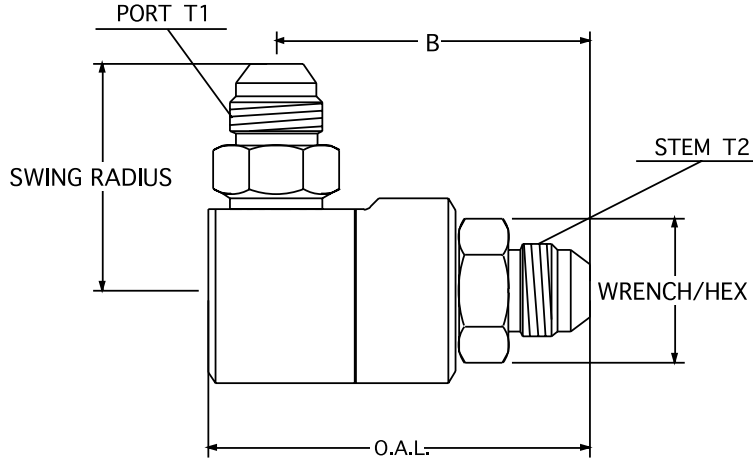


Male J.I.C. (37°) x Male J.I.C. (37°)



Not Available
In Stainless Steel!

| PART NUMBER | O.A.L. | DIM. B | WRENCH/HEX | PORT T1 | STEM T2 | SWG. RADIUS | MAX. P.S.I.G. | THROUGH HOLE |
|-----------------------|--------|--------|------------|----------------|----------------|-------------|---------------|--------------|
| 9 SS 4 MJ 4 X MJ 4 | 2.837 | 2.325 | 0.750 | 7/16-20 U.N. | 7/16-20 U.N. | 1.454 | 3500 | 0.172 |
| 9 SS 4 MJ 6 X MJ 6 | 2.857 | 2.345 | 0.750 | 9/16-18 U.N. | 9/16-18 U.N. | 1.454 | 3500 | 0.250 |
| 9 SS 8 MJ 8 X MJ 8 | 3.070 | 2.523 | 1.000 | 3/4-16 U.N. | 3/4-16 U.N. | 1.712 | 3500 | 0.297 |
| 9 SS 8 MJ 10 X MJ 10 | 3.200 | 2.623 | 1.000 | 7/8-14 U.N. | 7/8-14 U.N. | 1.978 | 3500 | 0.297 |
| 9 SS 12 MJ 12 X MJ 12 | 3.534 | 2.885 | 1.375 | 1 1/16-12 U.N. | 1 1/16-12 U.N. | 2.288 | 3500 | 0.385 |
| 9 SS 16 MJ 16 X MJ 16 | 4.275 | 3.482 | 1.625 | 1 5/16-12 U.N. | 1 5/16-12 U.N. | 2.384 | 3500 | 0.550 |
| 9 SS 20 MJ 20 X MJ 20 | 4.845 | 3.835 | 1.750 | 1 5/8-12 U.N. | 1 5/8-12 U.N. | 2.970 | 3500 | 0.827 |
| 9 SS 24 MJ 24 X MJ 24 | 6.275 | 5.045 | 2.125 | 1 7/8-12 U. N. | 1 7/8-12 U.N. | 3.097 | 3500 | 0.944 |