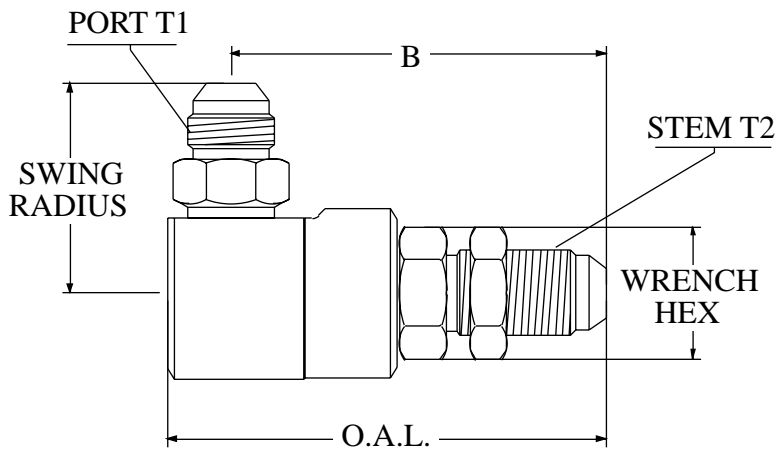


## Male J.I.C. Bulkhead (37°) x Male J.I.C. (37°)



Not Available  
In Stainless Steel!

PART NUMBER	O.A.L.	DIM. B	WRENCH/HEX	PORT T1	STEM T2	SWG. RADIUS	MAX. P.S.I.G.	THROUGH HOLE
9 SS 8 MJB 8 X MJ 8	3.805	3.258	1.000	3/4-16 U.N.	3/4-16 U.N.	1.712	3500	0.297
9 SS 8 MJB 10 X MJ 10	4.055	3.478	1.125	7/8-14 U.N.	7/8-14 U.N.	1.978	3500	0.297
9 SS 12 MJB 12 X MJ 12	4.454	3.805	1.375	1 <sup>1</sup> / <sub>16</sub> -12 U.N.	1 <sup>1</sup> / <sub>16</sub> -12 U.N.	2.288	3500	0.385
9 SS 16 MJB 16 X MJ 16	5.110	4.317	1.625	1 <sup>5</sup> / <sub>16</sub> -12 U.N.	1 <sup>5</sup> / <sub>16</sub> -12 U.N.	2.384	3500	0.550
9 SS 20 MJB 20 X MJ 20	5.740	4.730	1.875	1 <sup>5</sup> / <sub>8</sub> -12 U.N.	1 <sup>5</sup> / <sub>8</sub> -12 U.N.	2.970	3500	0.827