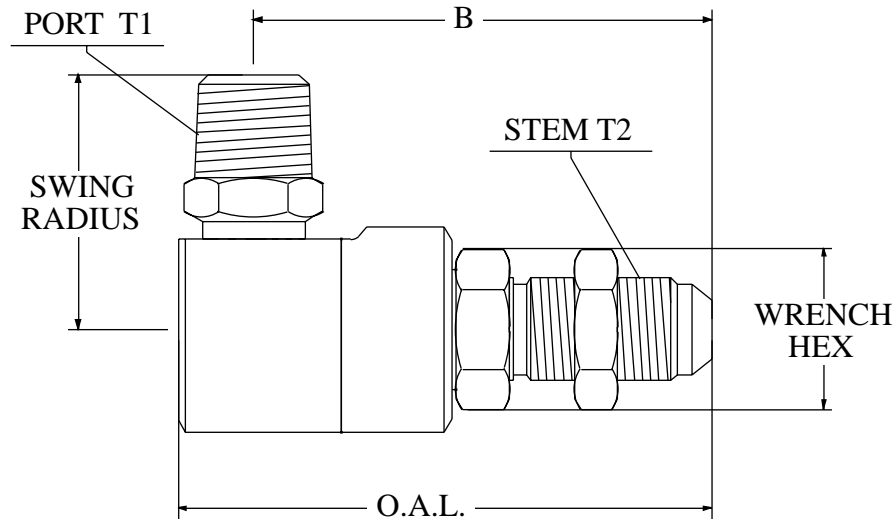


## Male J.I.C. Bulkhead (37°) x Male Pipe (N.P.T.)



Not Available  
In Stainless Steel!

PART NUMBER	O.A.L.	DIM. B	WRENCH/HEX	PORT T1	STEM T2	SWG. RADIUS	MAX. P.S.I.G.	THROUGH HOLE
9 SS 8 MJB 8 X MP 38	3.805	3.258	1.000	3/8-18 N.P.T.	3/4-16 U.N.	1.556	3500	0.297
9 SS 8 MJB 8 X MP 50	3.805	3.258	1.000	1/2-14 N.P.T.	3/4-16 U.N.	1.848	3500	0.297
9 SS 8 MJB 10 X MP 50	4.025	3.478	1.125	1/2-14 N.P.T.	7/8-14 U.N.	1.848	3500	0.297
9 SS 12 MJB 12 X MP 75	4.445	3.805	1.375	3/4-14 N.P.T.	1 1/16-12 U.N.	1.998	3500	0.484
9 SS 16 MJB 16 X MP 100	4.905	4.317	1.625	1-1 1/4 N.P.T.	1 5/16-12 U.N.	2.370	3500	0.550
9 SS 20 MJB 20 X MP 125	5.575	4.730	1.875	1 1/4-1 1/2 N.P.T.	1 5/8-12 U.N.	2.987	3500	0.827