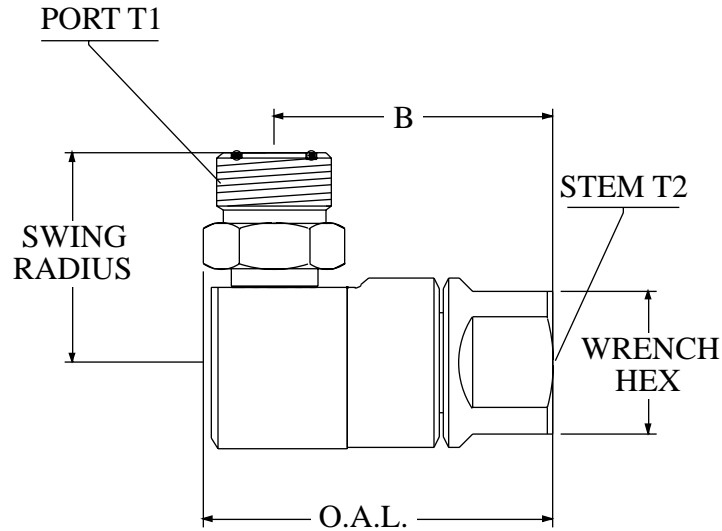


## Female Pipe (N.P.T.) x Male Face Seal (M.F.S.)



Not Available  
In Stainless Steel!

PART NUMBER	O.A.L.	DIM. B	WRENCH/HEX	PORT T1	STEM T2	SWG. RADIUS	MAX. P.S.I.G.	THROUGH HOLE
9 SS 4 FP 25 X MFS 6	2.757	2.245	0.875	11/16-16 U.N.	1/4-18 N.P.T.	1.314	5000	0.265
9 SS 8 FP 38 X MFS 6	2.970	2.423	1.120	11/16-16 U.N.	3/8-18 N.P.T.	1.432	5000	0.265
9 SS 8 FP 38 X MFS 8	2.970	2.423	1.120	13/16-16 U.N.	3/8-18 N.P.T.	1.669	5000	0.265
9 SS 8 FP 50 X MFS 8	2.970	2.423	1.245	13/16-16 U.N.	1/2-14 N.P.T.	1.669	5000	0.265
9 SS 8 FP 50 X MFS 10	2.970	2.423	1.245	1-14 U.N.	1/2-14 N.P.T.	1.826	5000	0.265
9 SS 12 FP 75 X MFS 12	3.150	2.510	1.495	1 <sup>3</sup> / <sub>16</sub> -12 U.N.	3/4-14 N.P.T.	2.089	4500	0.389
9 SS 16 FP 100 X MFS 16	3.800	3.212	1.745	1 <sup>7</sup> / <sub>16</sub> -12 U.N.	1-11 <sup>1</sup> / <sub>2</sub> N.P.T.	2.255	4000	0.484
9 SS 20 FP 125 X MFS 20	4.515	3.670	2.120	1 <sup>11</sup> / <sub>16</sub> -12 U.N.	1 <sup>1</sup> / <sub>4</sub> -11 <sup>1</sup> / <sub>2</sub> N.P.T.	2.658	4000	0.718
9 SS 24 FP 150 X MFS 24	5.890	4.660	2.370	2-12 U.N.	1 <sup>1</sup> / <sub>2</sub> -11 <sup>1</sup> / <sub>2</sub> N.P.T.	2.904	4000	0.844