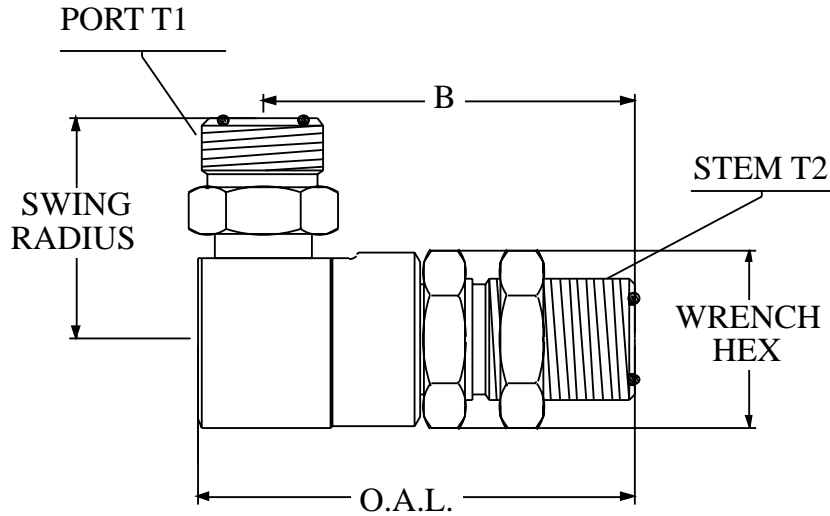


Male Face Seal Bulkhead (M.F.S.B.) x Male Face Seal (M.F.S.)



Not Available
In Stainless Steel!

PART NUMBER	O.A.L.	DIM. B	PORT T1	STEM T2	WRENCH/HEX	SWING RADIUS	MAX P.S.I.G.	THROUGH HOLE
9SS 4 MFSB 6 X MFS 6	3.587	3.075	11/16-18 U.N.	11/16-16 U.N.	1.000	1.450	5000	0.250
9SS 8 MFSB 8 X MFS 8	3.805	3.258	13/16-16 U.N.	13/16-16 U.N.	1.125	1.706	5000	0.264
9SS 8 MFSB 10 X MFS 10	3.965	3.418	1-14 U.N.	1-14 U.N.	1.125	1.826	5000	0.297
9SS 12 MFSB 12 X MFS 12	4.245	3.605	1 ³ / ₁₆ -12 U.N.	1 ³ / ₁₆ -12 U.N.	1.500	2.135	4500	0.378
9SS 16 MFSB 16 X MFS 16	4.715	4.127	1 ⁷ / ₁₆ -12 U.N.	1 ⁷ / ₁₆ -12 U.N.	1.750	2.255	4000	0.484
9SS 20 MFSB 20 X MFS 20	5.054	3.649	1 ¹¹ / ₁₆ -12 U.N.	1 ¹¹ / ₁₆ -12 U.N.	2.000	2.658	4000	0.718