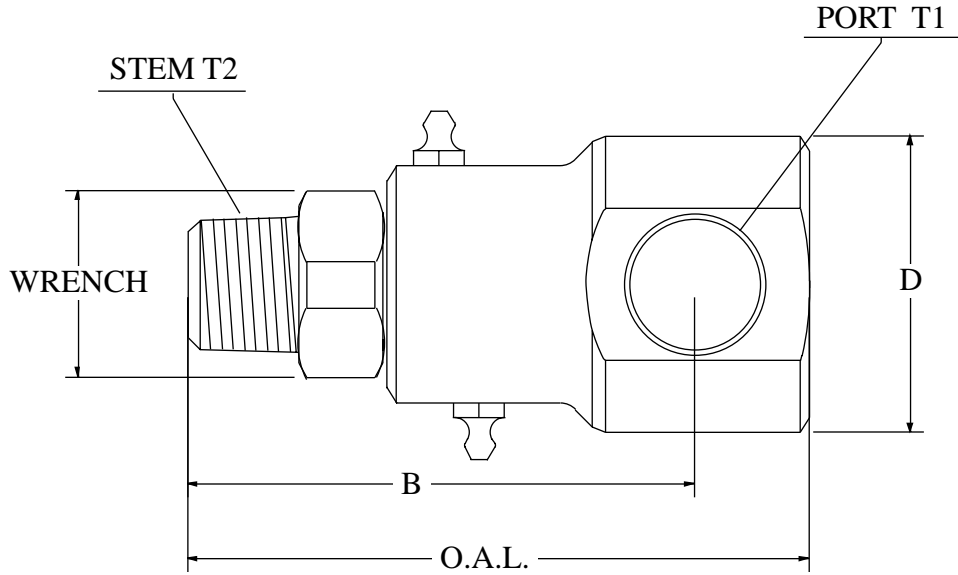


10,000 P.S.I. Male Pipe (N.P.T.) x Female Pipe (N.P.T.)



Not Available
In Stainless Steel!

PART NUMBER	O.A.L.	DIM. B	DIM. D Ø	WRENCH	PORT T1	STEM T2	SWG. RADIUS	MAX. P.S.I.G.	THROUGH HOLE
9 SS 8 HP MP 50 X FP 50	3.855	3.145	1.842	1.000	1/2-14 N.P.T	1/2-14 N.P.T.	1.048	10,000	0.437