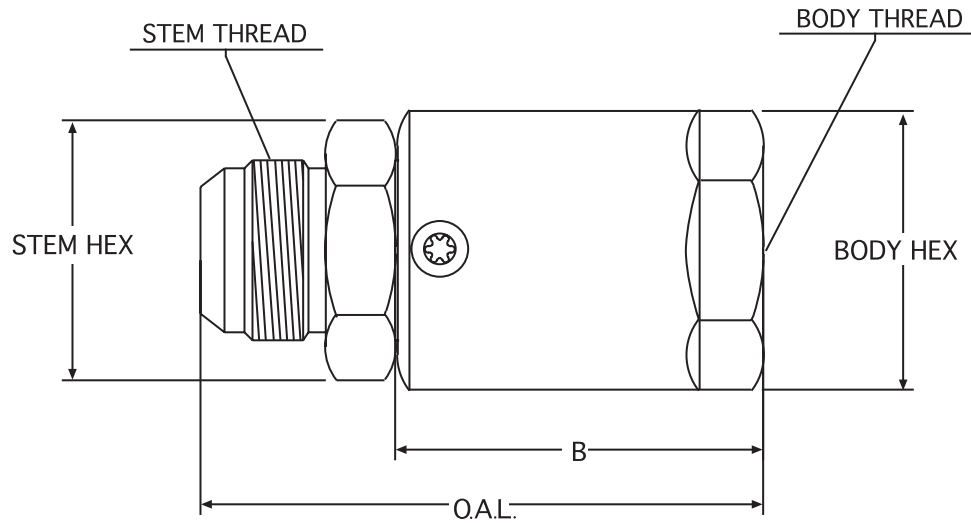


Male J.I.C. (37°) x Female J.I.C. (37°)



Not Available
In Stainless Steel!

PART NUMBER	O.A.L.	DIM. B	STEM THREAD	BODY THREAD	STEM HEX	BODY HEX/WRENCH	BODY DIA.	MAX P.S.I.G.	THROUGH HOLE
SS 4 MJ 4 X FJ 4	2.578	1.648	7/16-20 U.N.	7/16-20 U.N.	0.750	1.000		5000	0.172
SS 4 MJ 5 X FJ 5	2.578	1.648	1/2-20 U.N.	1/2-20 U.N.	0.750	1.000		5000	0.234
SS 4 MJ 6 X FJ 6	2.770	1.820	9/16-18 U.N.	9/16-18 U.N.	0.750	1.000		5000	0.250
SS 8 MJ 8 X FJ 8	3.035	1.950	3/4-16 U.N.	3/4-16 U.N.	1.000	1.375		5000	0.406
SS 8 MJ 10 X FJ 10	3.235	2.050	7/8-14 U.N.	7/8-14 U.N.	1.000	1.375		5000	0.484
SS 12 MJ 12 X FJ 12	3.505	2.145	1 ¹ / ₁₆ -12 U.N.	1 ¹ / ₁₆ -12 U.N.	1.375	1.625		4500	0.609
SS 16 MJ 16 X FJ 16	4.091	2.646	1 ⁵ / ₁₆ -12 U.N.	1 ⁵ / ₁₆ -12 U.N.	1.625	1.750	1.917	4000	0.844
SS 20 MJ 20 X FJ 20	4.395	2.850	1 ⁵ / ₈ -12 U.N.	1 ⁵ / ₈ -12 U.N.	1.750	2.125	2.357	4000	1.078
SS 24 MJ 24 X FJ 24	5.175	3.410	1 ⁷ / ₈ -12 U.N.	1 ⁷ / ₈ -12 U.N.	2.125	2.375	2.550	4000	1.312