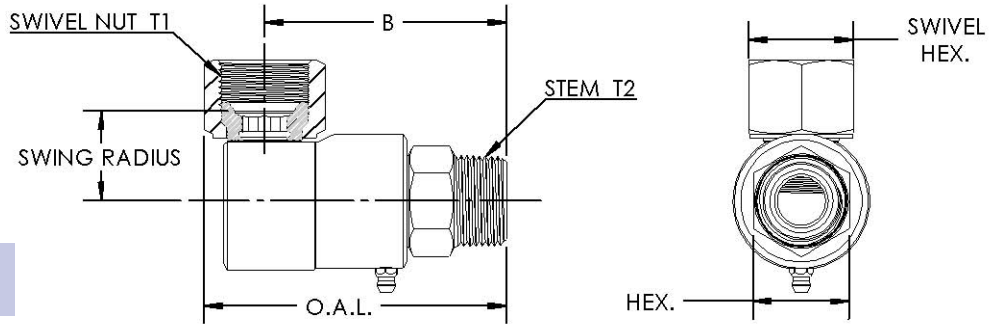


# Male Pipe (N.P.T.) X J.I.C. Swivel Nut (37°)



Not Available  
In Stainless Steel!

PART NUMBER	O.A.L.	DIM. B	SWIVEL HEX	WRENCH/HEX	SWIVEL NUT T1	STEM T2	SWG. RADIUS	MAX P.S.I.G.	THROUGH HOLE
9 SS 4 MP 25 X FJS 4	2.882	2.370	0.562	0.625	7/16-20 U.N.	1/4-18 N.P.T.	1.171	3500	0.165
9 SS 4 MP 38 X FJS 4	2.886	2.374	0.562	0.750	7/16-20 U.N.	3/8-18 N.P.T.	1.171	3500	0.165
9 SS 4 MP 25 X FJS 6	2.882	2.370	0.687	0.625	9/16-18 U.N.	1/4-18 N.P.T.	1.167	3500	0.250
9 SS 4 MP 38 X FJS 6	2.886	2.374	0.687	0.750	9/16-18 U.N.	3/8-18 N.P.T.	1.167	3500	0.250
9 SS 8 MP 38 X FJS 6	3.052	2.548	0.687	1.000	9/16-18 U.N.	3/8-18 N.P.T.	1.283	3500	0.290
9 SS 8 MP 50 X FJS 8	3.250	2.673	0.875	1.000	3/4-16 U.N.	1/2-14 N.P.T.	1.254	3500	0.290
9 SS 8 MP 50 X FJS 10	3.250	2.673	1.000	1.000	7/8-14 U.N.	1/2-14 N.P.T.	1.017	4500	0.320
9 SS 12 MP 75 X FJS 12	3.481	2.760	1.250	1.125	1 1/16-12 U.N.	3/4-14 N.P.T.	1.040	4500	0.460
9 SS 16 MP 100 X FJS 16	4.327	3.462	1.500	1.375	1 5/16-12 U.N.	1-11 1/2 N.P.T.	1.277	4000	0.650
9 SS 20 MP 125 X FJS 20	4.949	3.795	2.000	1.750	1 5/8-12 U.N.	1 1/4-11 1/2 N.P.T.	1.403	4000	0.790
9 SS 24 MP 150 X FJS 24	6.253	4.955	2.250	2.000	1 7/8-12 U.N.	1 1/2-11 1/2 N.P.T.	1.699	4000	0.920