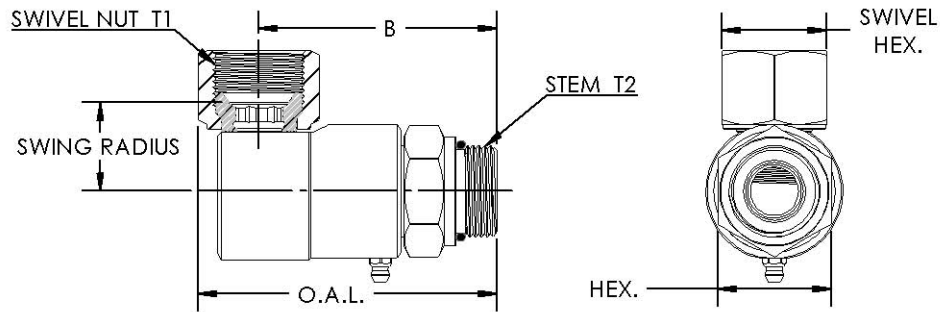


Male O-Ring (O.R.B.) X J.I.C. Swivel Nut (37°)



Not Available
In Stainless Steel!

PART NUMBER	O.A.L.	DIM. B	SWIVEL HEX	WRENCH/HEX	SWIVEL NUT T1	STEM T2	SWG. RADIUS	MAX P.S.I.G.	THROUGH HOLE
9 SS 4 MO 6 X FJS 4	2.727	2.215	0.562	0.750	7/16-20 U.N.	9/16-18 U.N.	1.171	3500	0.165
9 SS 4 MO 6 X FJS 6	2.727	2.215	0.687	0.750	9/16-18 U.N.	9/16-18 U.N.	1.167	3500	0.250
9 SS 8 MO 8 X FJS 6	2.923	2.376	0.687	1.000	9/16-18 U.N.	3/4-16 U.N.	1.283	3500	0.290
9 SS 8 MO 8 X FJS 8	2.953	2.376	0.875	1.000	3/4-16 U.N.	3/4-16 U.N.	1.254	3500	0.290
9 SS 8 MO 10 X FJS 10	3.075	2.498	1.000	1.000	7/8-14 U.N.	7/8-14 U.N.	1.017	4500	0.320
9 SS 12 MO 12 X FJS 12	3.470	2.749	1.250	1.375	1 1/16-12 U.N.	1 1/16-12 U.N.	1.040	4500	0.460
9 SS 16 MO 16 X FJS 16	4.276	3.411	1.500	1.625	1 5/16-12 U.N.	1 5/16-12 U.N.	1.277	4000	0.650
9 SS 20 MO 20 X FJS 20	4.909	3.755	2.000	1.750	1 5/8-12 U.N.	1 5/8-12 U.N.	1.403	4000	0.790
9 SS 24 MO 24 X FJS 24	6.173	4.875	2.250	2.125	1 7/8-12 U.N.	1 7/8-12 U.N.	1.699	4000	0.920