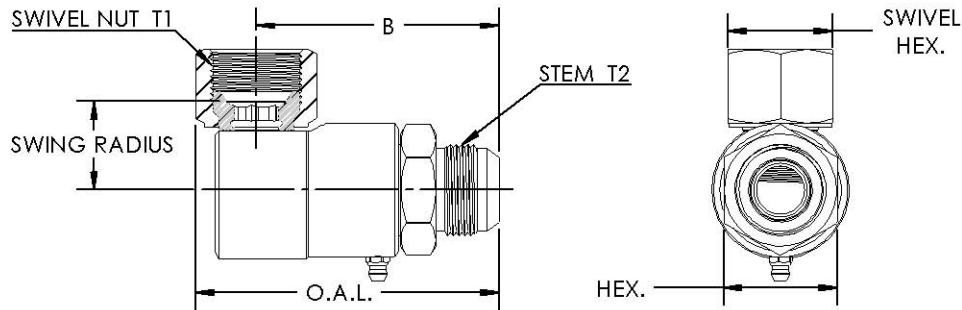


## Male J.I.C. (37°) X J.I.C. Swivel Nut (37°)



Not Available  
In Stainless Steel!

PART NUMBER	O.A.L.	DIM. B	SWIVEL HEX	WRENCH/HEX	SWIVEL NUT T1	STEM T2	SWG. RADIUS	MAX P.S.I.G.	THROUGH HOLE
9 SS 4 MJ 6 X FJS 4	2.887	2.375	0.562	0.750	7/16-20 U.N.	9/16-18 U.N.	1.171	3500	0.165
9 SS 4 MJ 6 X FJS 6	2.887	2.375	0.687	0.750	9/16-18 U.N.	9/16-18 U.N.	1.167	3500	0.250
9 SS 8 MJ 8 X FJS 6	3.070	2.523	0.687	1.000	9/16-18 U.N.	3/4-16 U.N.	1.283	3500	0.290
9 SS 8 MJ 8 X FJS 8	3.100	2.523	0.875	1.000	3/4-16 U.N.	3/4-16 U.N.	1.254	3500	0.290
9 SS 8 MJ 8 X FJS 10	3.100	2.523	1.000	1.000	7/8-14 U.N.	3/4-16 U.N.	1.017	4500	0.320
9 SS 8 MJ 10 X FJS 10	3.200	2.623	1.000	1.000	7/8-14 U.N.	7/8-14 U.N.	1.017	4500	0.320
9 SS 12 MJ 12 X FJS 12	3.606	2.885	1.250	1.375	1 1/16-12 U.N.	1 1/16-12 U.N.	1.040	4500	0.460
9 SS 16 MJ 16 X FJS 16	4.348	3.482	1.500	1.625	1 5/16-12 U.N.	1 5/16-12 U.N.	1.277	4000	0.650
9 SS 20 MJ 20 X FJS 20	4.989	3.835	2.000	1.750	1 5/8-12 U.N.	1 5/8-12 U.N.	1.403	4000	0.790
9 SS 24 MJ 24 X FJS 24	6.343	5.045	2.250	2.125	1 7/8-12 U.N.	1 7/8-12 U.N.	1.699	4000	0.920