



# Automatic Car Wash Industry

**Inline and 90° Swivels**  
Heavy Duty Rebuildable Swivels  
Ball Bearing Design



**SWITCH YOUR SWIVEL!®**

7917 Beech Street NE • Minneapolis, MN 55432-1762 • (763) 784-5531 • Fax (763) 784-7423  
Website: [www.superswivels.com](http://www.superswivels.com) • Email: [sales@superswivels.com](mailto:sales@superswivels.com)



## WARRANTY & LIMITATION OF LIABILITY

Super Swivels® products are warranted for a period of **twelve (12) months** from date of shipment from Seller's plant to be free from defects in material and workmanship under correct use, normal operating conditions, and proper application.

CAR WASH / CORROSIVE MEDIA APPLICATIONS. SEALS WILL BE WARRANTED FOR **SIX (6) MONTHS** WHEN USED WITH FRESH, CLEAN, SOFT, FLUIDS WITH A pH BETWEEN 8 - 11.5. SEALS WILL BE WARRANTED FOR **THREE (3) MONTHS** WHEN USED WITH ANY RECLAIMED FLUIDS. MINIMUM FILTRATION REQUIREMENTS, 10 MICRONS. WARRANTY VOIDED IF SPECIFIED RPM EXCEEDED

Seller's obligation under this warranty shall be limited to the repair or exchange, at Seller's option, F.O.B. Seller's factory, of any Super Swivels® product or part which proves to be defective as provided herein. Seller reserves the right to either inspect the product at Buyer's location or require it to be returned to the factory for inspection. The above warranty does not extend to goods damaged, or subjected to accident, abuse, or misuse after shipment from Seller's factory, nor to goods altered or repaired by anyone other than authorized Super Swivels® representatives.

SELLER MAKES NO EXPRESS WARRANTIES OTHER THAN THOSE WHICH ARE SPECIFICALLY DESCRIBED HEREIN. Any description of the goods sold hereunder, including any references to Buyer's specifications and any descriptions in catalogs, circulars and other written material published by Seller is for the sole purpose of identifying such goods and shall not create an express warranty that the goods shall conform to such description. Any sample or model is for illustrative purposes only and shall not create any express warranty that the goods shall conform to the sample or model. BUYER IS SOLELY RESPONSIBLE FOR DETERMINING THE SUITABILITY OF GOODS SOLD HEREUNDER FOR USE BY BUYER.

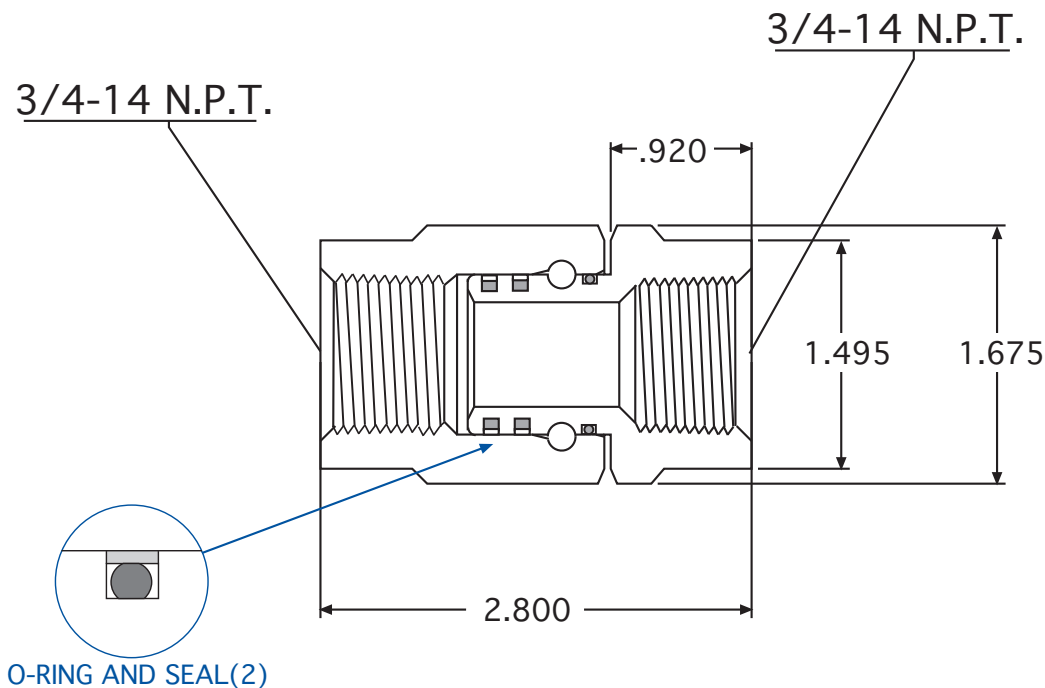
**THE SUITABILITY OF GOODS SOLD HEREUNDER FOR USE BY BUYER. THIS WARRANTY IS EXPRESSLY IN LIEU OF ALL OTHER WARRANTIES EXPRESSED OR IMPLIED. THERE ARE NO IMPLIED WARRANTIES OF MERCHANTABILITY OR FITNESS FOR A PARTICULAR PURPOSE. THIS WARRANTY STATES SELLERS ENTIRE AND EXCLUSIVE LIABILITY AND BUYERS EXCLUSIVE REMEDY FOR ANY CLAIM FOR DAMAGES IN CONNECTION WITH THE SALE OF FURNISHINGS OF SUPER SWIVELS® PRODUCTS, THEIR DESIGN, SUITABILITY FOR USE, INSTALLATION OR OPERATION, OR FOR ANY CLAIMED DEFECTS HEREIN. SELLER WILL IN NO EVENT BE LIABLE FOR ANY INCIDENTAL OR CONSEQUENTIAL DAMAGES WHATSOEVER, NOR FOR ANY SUM IN EXCESS OF THE PRICE RECEIVED FOR THE GOODS FOR WHICH LIABILITY IS CLAIMED.**

**SUPER SWIVELS® ARE NOT DESIGNED FOR AND SHOULD NOT BE USED AS A STRUCTURAL OR LOAD BEARING COMPONENT. ALL DIMENSIONAL INFORMATION SUBJECT TO CHANGE WITHOUT NOTICE.**

# SS 12 FP 75 X FP 75-NI-86-TFE

Not Available In Stainless Steel!

ITEM NO. 15010



Rebuilding Kit	SS-12-KIT-TFE
----------------	---------------

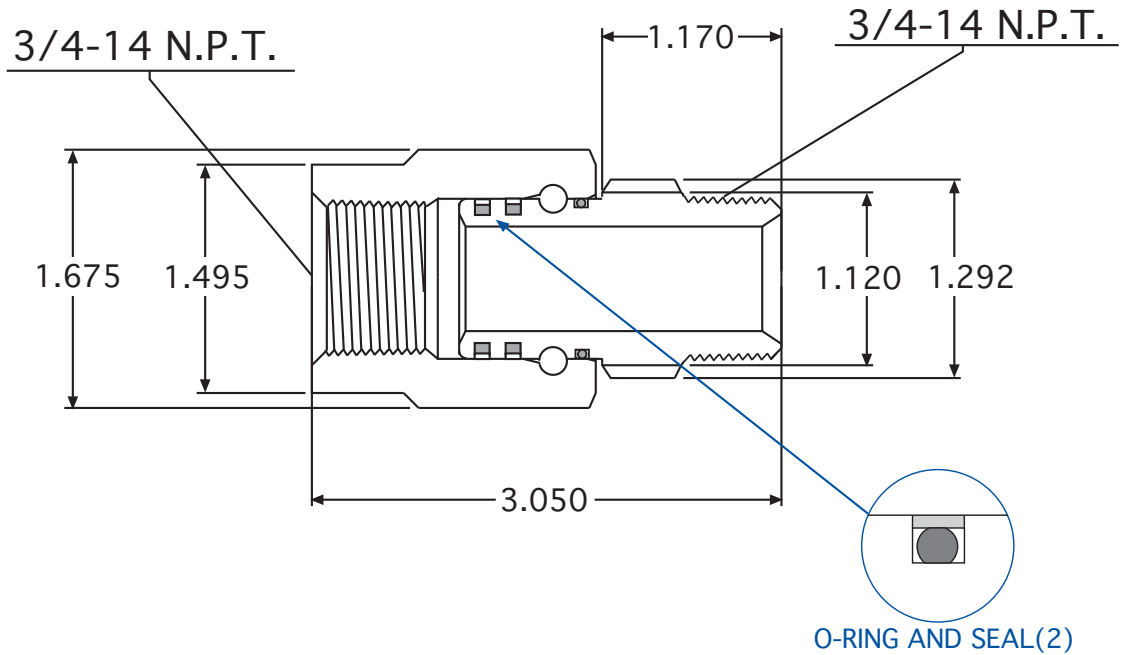
ITEM NO. 20183



## 5 R.P.M. -3,000 P.S.I.

Not Available In Stainless Steel!

**ITEM NO. 15009**



Rebuilding Kit	SS-12-KIT-TFE
----------------	---------------

**ITEM NO. 20183**

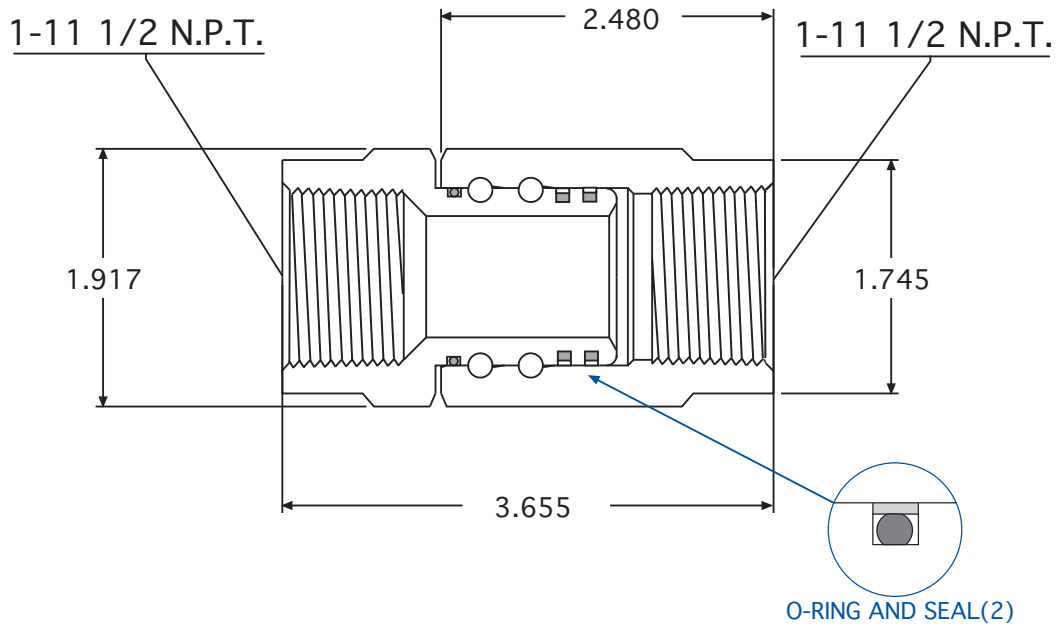


**5 R.P.M. - 3,000 P.S.I.**

# SS 16 DB FP 100 X FP 100-NI-86-TFE

Not Available In Stainless Steel!

ITEM NO. 16050



Rebuilding Kit	SS-16-DB-KIT-TFE
----------------	------------------

ITEM NO. 20251



## 5 R.P.M. -3,000 P.S.I.

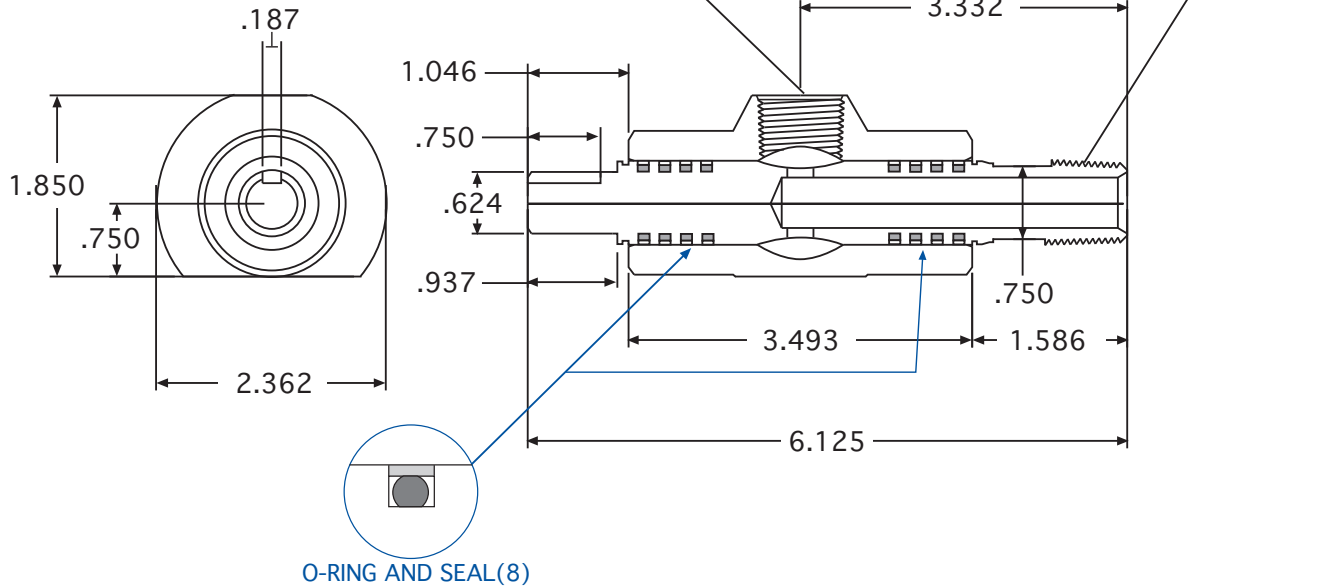
# 9 SS 8 PB MP 50 X FP 50-ML-U-KEYWAY

Not Available In Stainless Steel!

**ITEM NO. 23152**

1/2-14 N.P.T.

1/2-14 N.P.T.



Rebuilding Kit

SS-8-PB-KIT-001

**ITEM NO. 20171**

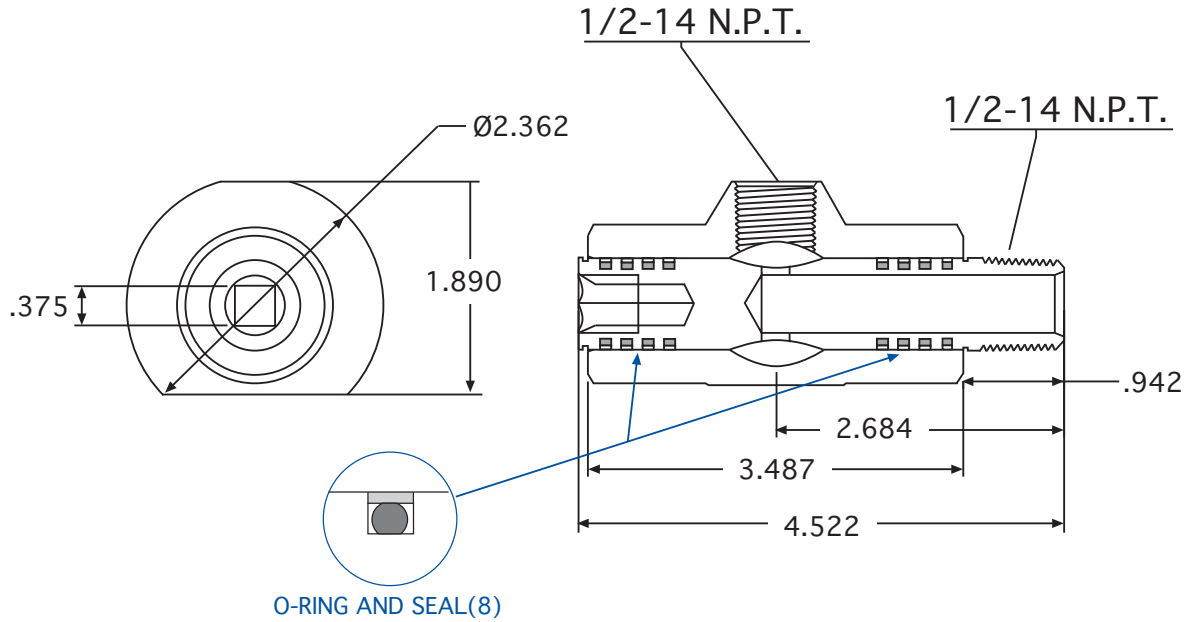


**70 R.P.M. - 1,500 P.S.I.**

# 9 SS 8 PB MP 50 X FP 50-NI-U

Not Available In Stainless Steel!

ITEM NO. 23113



Rebuilding Kit	SS-8-PB-KIT-001
----------------	-----------------

ITEM NO. 20171

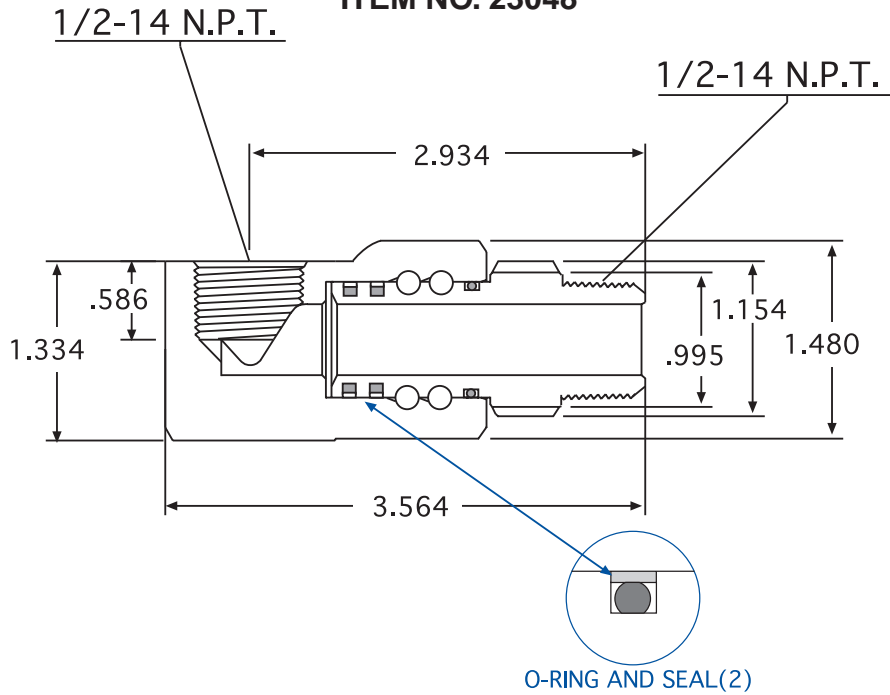


## 70 R.P.M. - 1,500 P.S.I.

# 9 SS 8 DB MP 50 X FP 50-NI-TFE

Not Available In Stainless Steel!

**ITEM NO. 23048**



Rebuilding Kit	SS-8-DB-KIT-TFE
----------------	-----------------

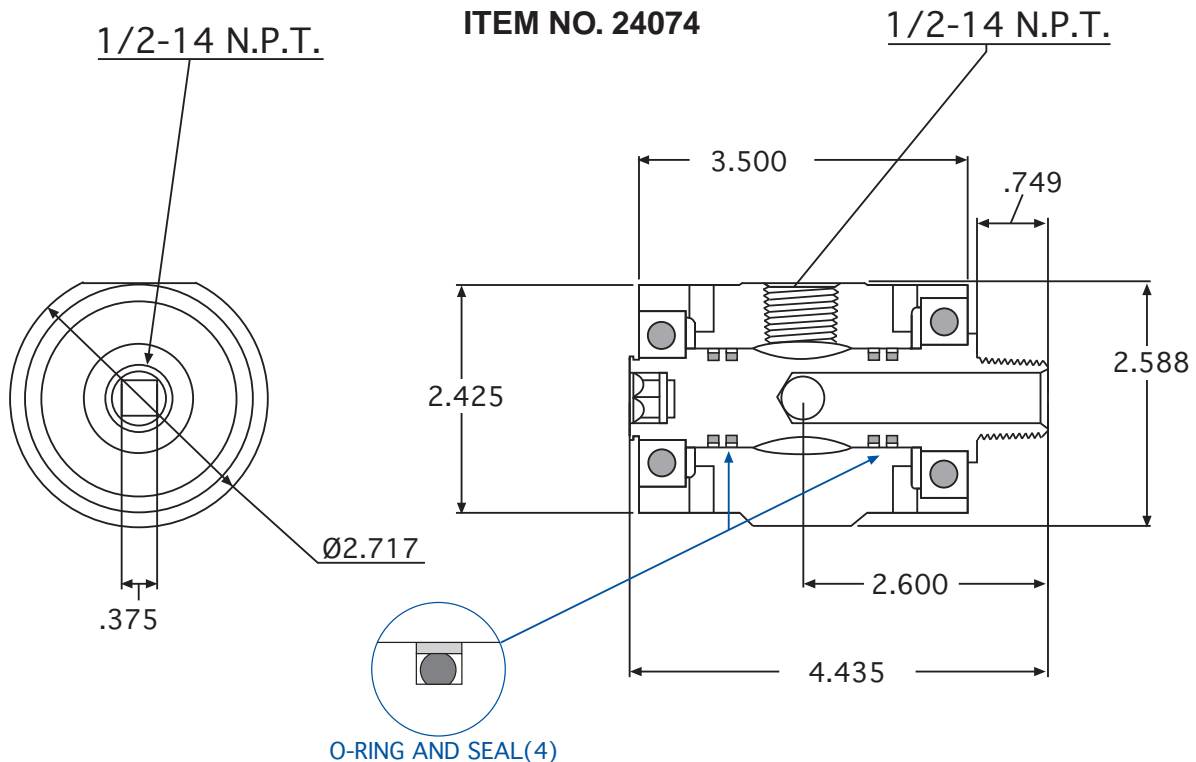
**ITEM NO. 20170**



**5 R.P.M. -3,000 P.S.I.**

# 9 SS 12 PB MP 50 X FP 50-NI

Not Available In Stainless Steel!



Rebuilding Kit	SS-12-PB-KIT-003	SS-12-PB-KIT-004 (W/BEARINGS)
----------------	------------------	-------------------------------

ITEM NO.

20198

20197

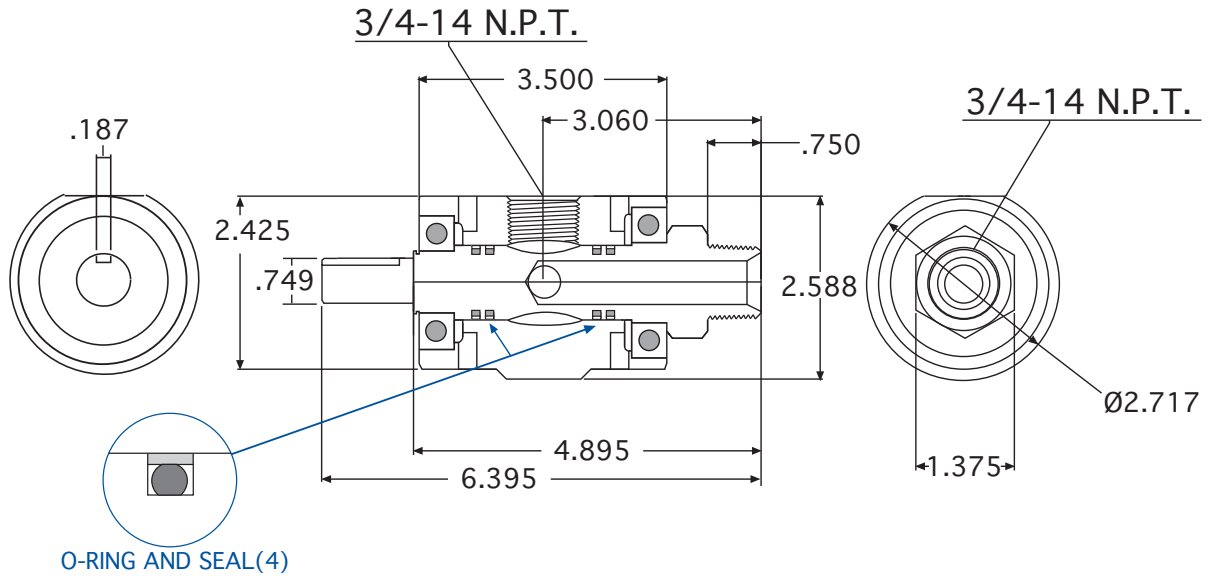


**100 R.P.M. -2,000 P.S.I.**

# 9 SS 12 PB MP 75 X FP 75-NI-U-004

Not Available In Stainless Steel!

**ITEM NO. 24089**



<b>Rebuilding Kit</b>	SS-12-PB-KIT-003	SS-12-PB-KIT-004 (W/BEARINGS)
-----------------------	------------------	-------------------------------

**ITEM NO.**

**20198**

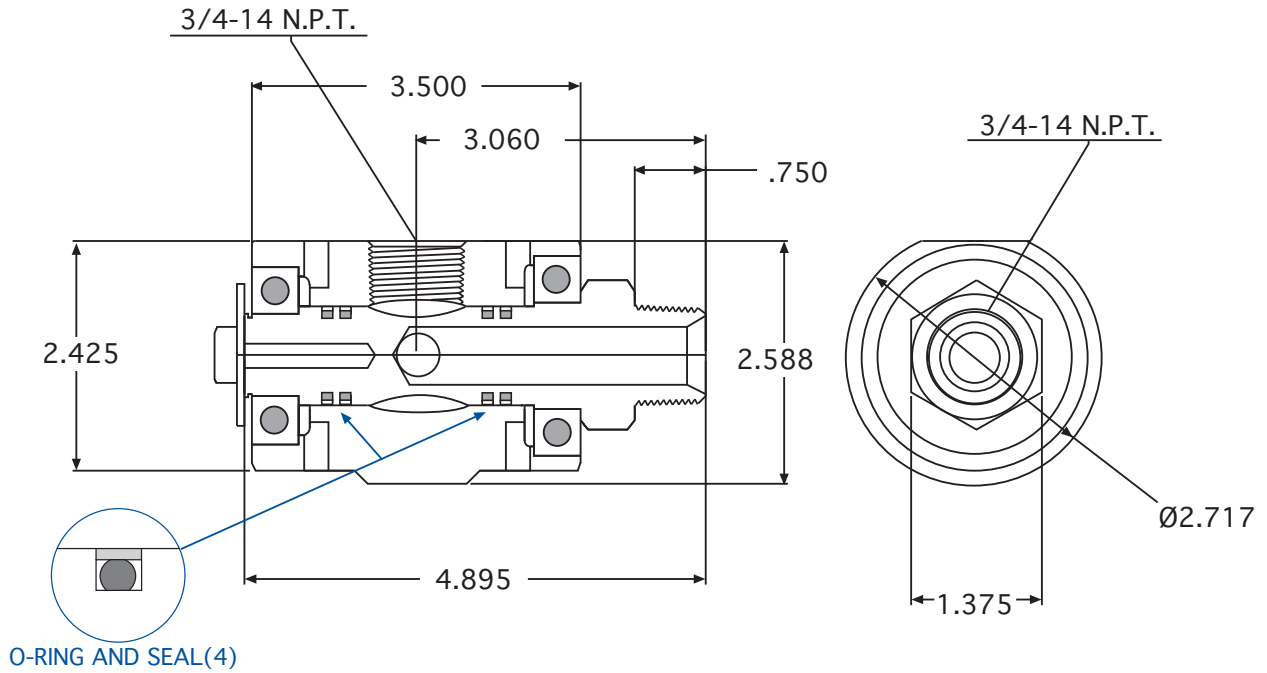
**20197**



**100 R.P.M. -2,000 P.S.I.**

Not Available In Stainless Steel!

**ITEM NO. 24073**



<b>Rebuilding Kit</b>	SS-12-PB-KIT-003	SS-12-PB-KIT-004 (W/BEARINGS)
-----------------------	------------------	-------------------------------

**ITEM NO.**

**20198**

**20197**

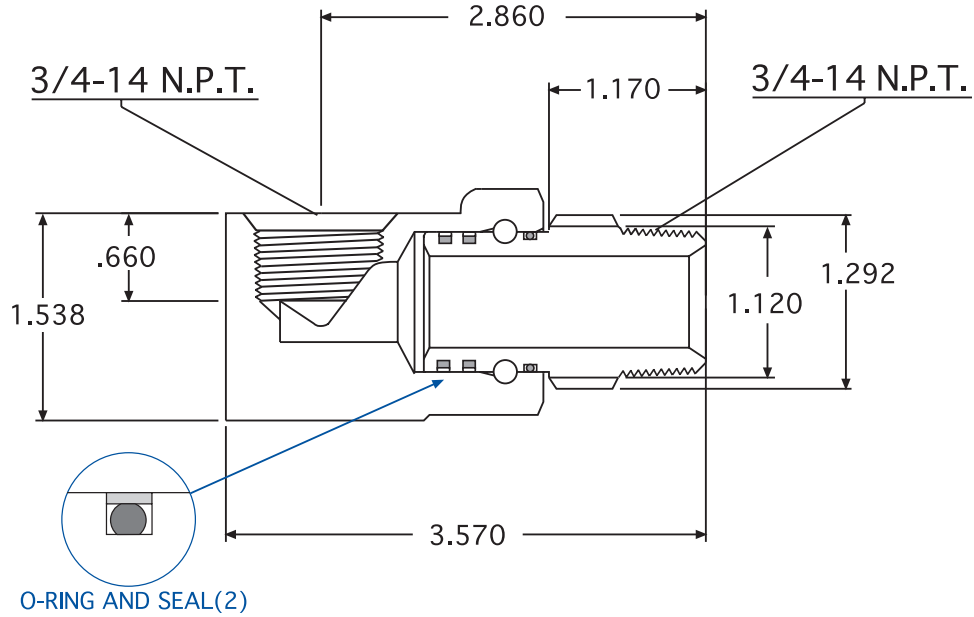


**100 R.P.M. -2,000 P.S.I.**

# 9 SS 12 MP 75 X FP 75-NI-86-TFE

Not Available In Stainless Steel!

**ITEM NO. 24022**



Rebuilding Kit	SS-12-KIT-TFE
----------------	---------------

**ITEM NO. 20183**

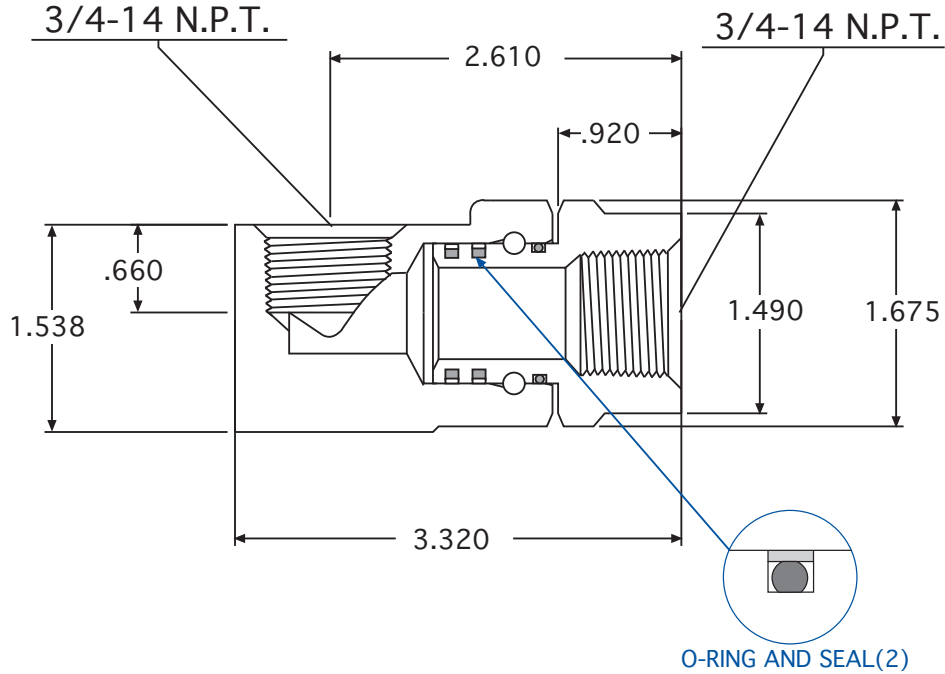


## 5 R.P.M. -3,000 P.S.I.

# 9 SS 12 FP 75 X FP 75-NI-86-TFE

Not Available In Stainless Steel!

ITEM NO. 24059



Rebuilding Kit | SS-12-KIT-TFE

ITEM NO. 20183

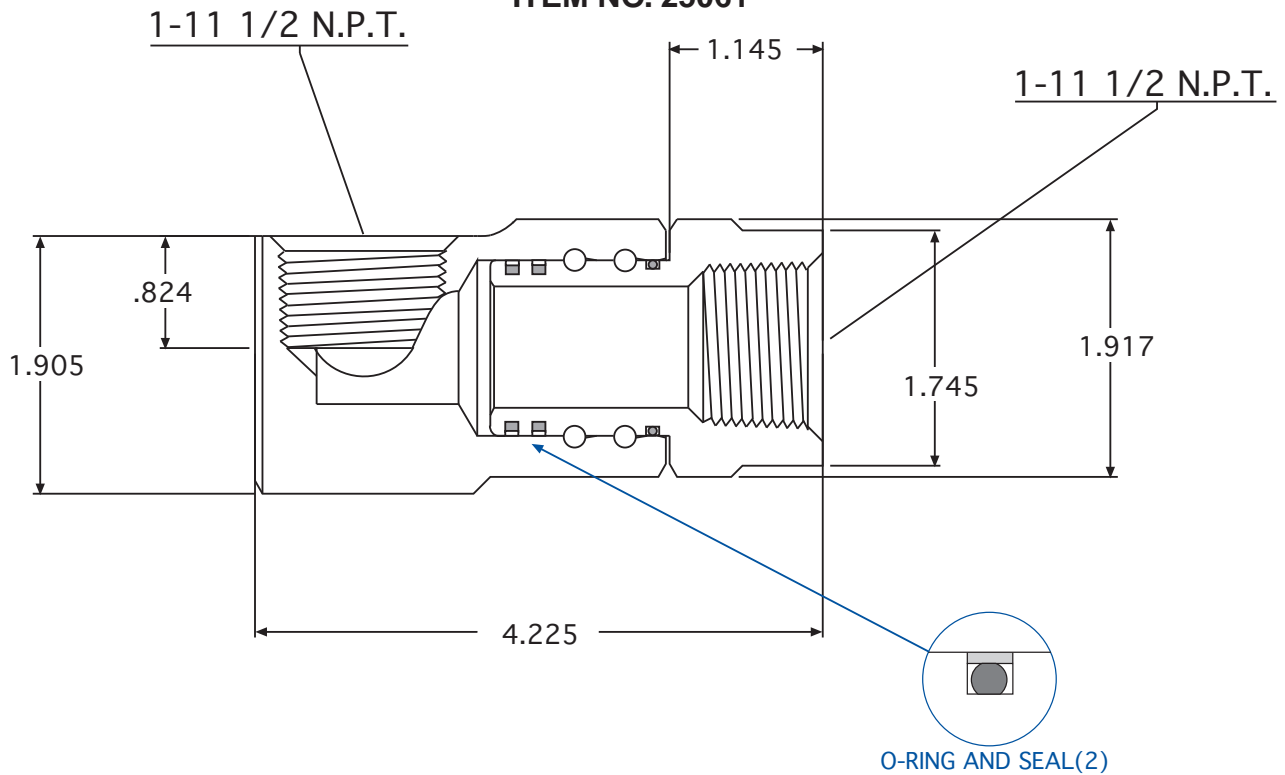


5 R.P.M. - 3,000 P.S.I.

# 9 SS 16 DB FP 100 X FP 100-NI-86-TFE

Not Available In Stainless Steel!

ITEM NO. 25061



Rebuilding Kit	SS-16-DB-KIT-TFE
----------------	------------------

ITEM NO. 20251

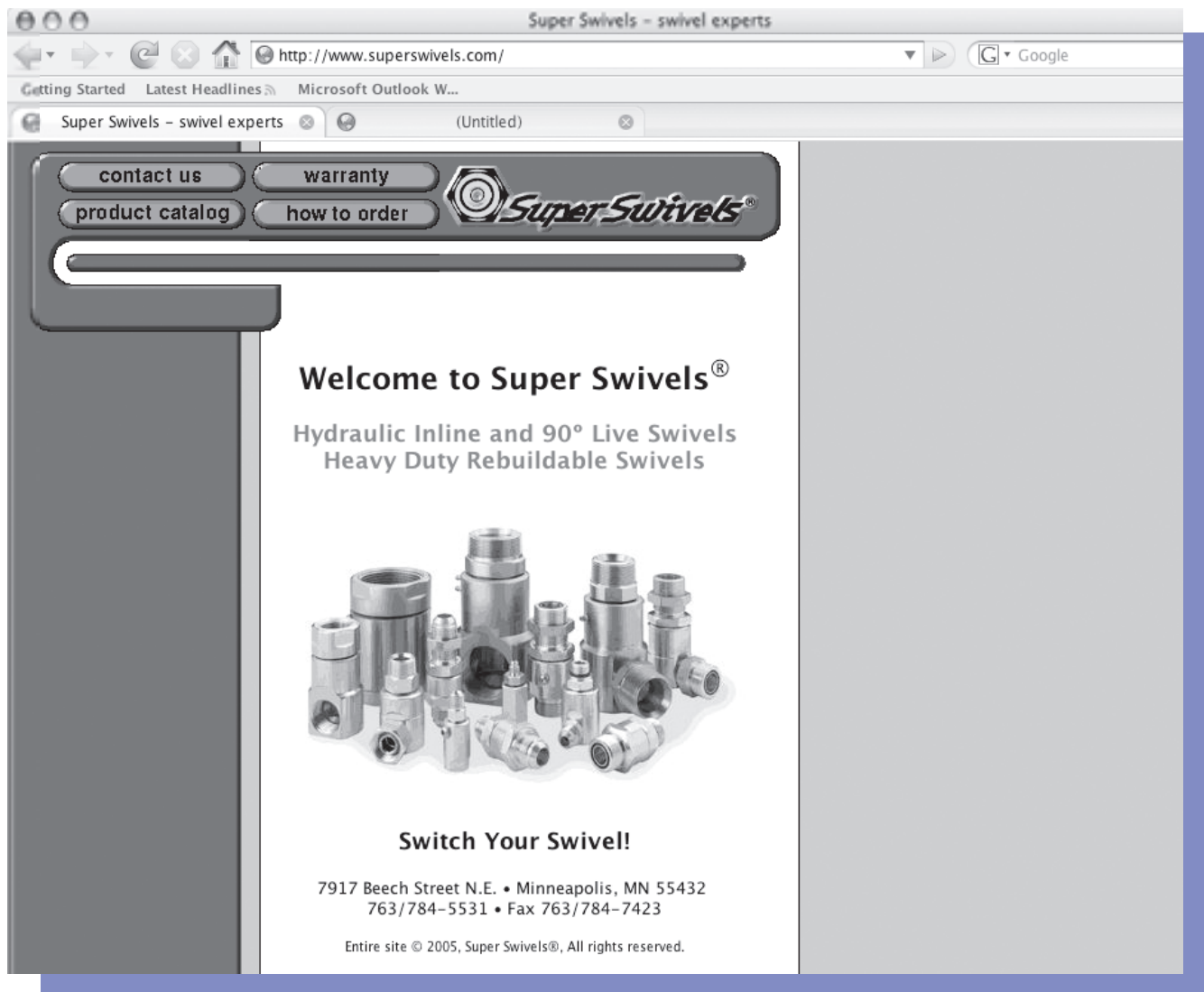


5 R.P.M. -3,000 P.S.I.



Check us out on the Web!

[www.superswivels.com](http://www.superswivels.com)



**SWITCH YOUR SWIVEL!**



## INLINE AND 90° SWIVELS

- SIZES FROM 1/2" THROUGH 1"
- RATED TO 2,000 P.S.I.
- HEAT TREATED
- SUPERIOR QUALITY ALLOY STEEL
- CHROME OR STAINLESS STEEL BALL BEARINGS
- WITHSTANDS HEAVY SIDE LOADS
- BURNISHED (MICRO SMOOTH) BARREL BORES
- TFE OR UHMW PISTON RING SEALS
- NICKEL PLATED
- FULL FLOW – LOW PRESSURE DROP
- REBUILDING KITS AVAILABLE

