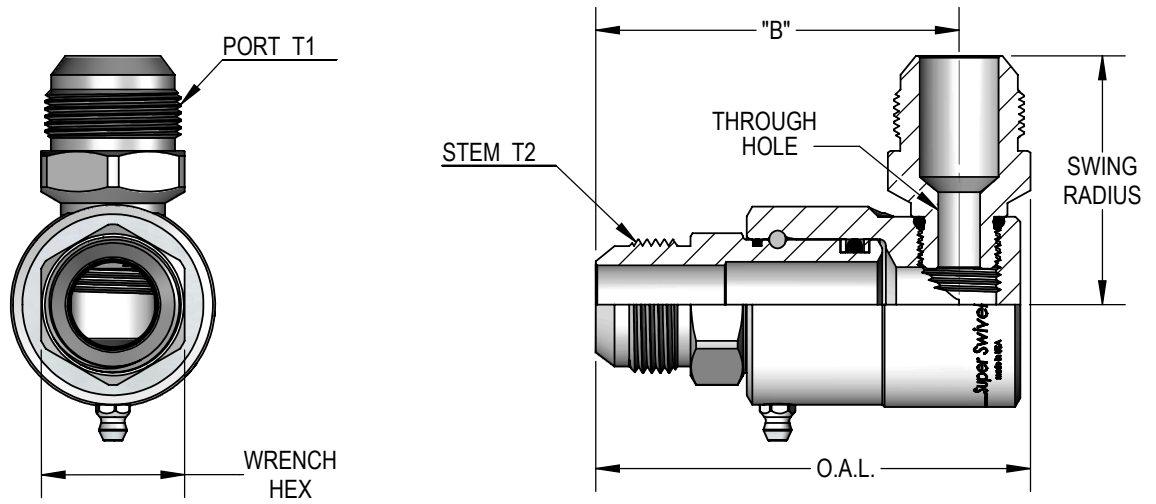
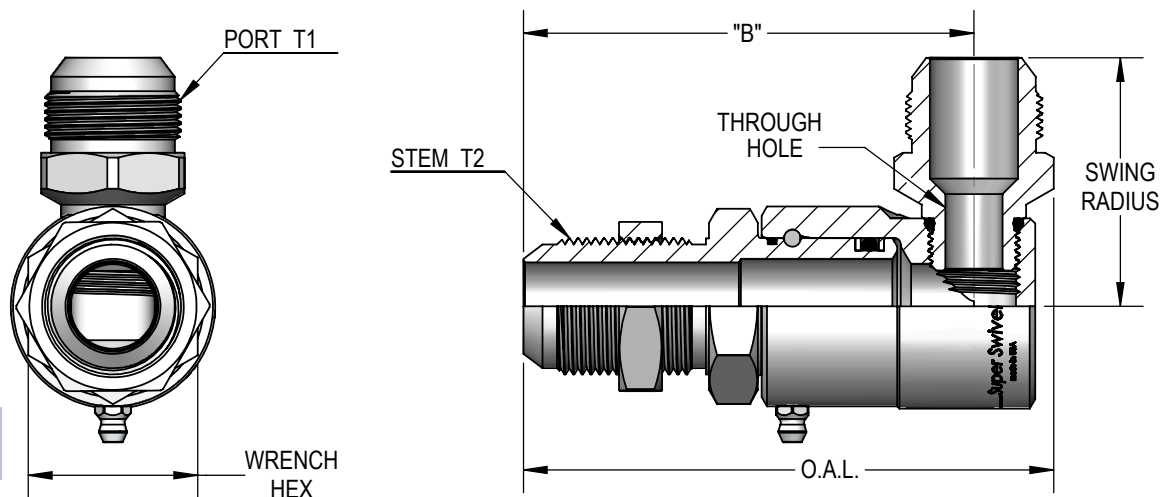


Male J.I.C. (37°) X Male J.I.C. (37°)



PART NUMBER	O.A.L.	DIM. B	WRENCH/HEX	PORT T1	STEM T2	SWG. RADIUS	MAX. P.S.I.G.	THROUGH HOLE
9 SS 4 MJ 4 X MJ 4	2.837	2.325	0.625	7/16-20 U.N.	7/16-20 U.N.	1.454	3500	0.172
9 SS 4 MJ 6 X MJ 6	2.857	2.345	0.625	9/16-18 U.N.	9/16-18 U.N.	1.454	3500	0.250
9 SS 8 MJ 8 X MJ 8	3.070	2.523	1.000	3/4-16 U.N.	3/4-16 U.N.	1.712	3500	0.297
9 SS 8 MJ 10 X MJ 10	3.200	2.623	1.000	7/8-14 U.N.	7/8-14 U.N.	1.978	3500	0.297
9 SS 12 MJ 12 X MJ 12	3.534	2.885	1.125	1 1/16-12 U.N.	1 1/16-12 U.N.	2.288	3500	0.385
9 SS 16 MJ 16 X MJ 16	4.275	3.482	1.375	1 5/16-12 U.N.	1 5/16-12 U.N.	2.384	3500	0.550
9 SS 20 MJ 20 X MJ 20	4.845	3.835	1.750	1 5/8-12 U.N.	1 5/8-12 U.N.	2.970	3500	0.827
9 SS 24 MJ 24 X MJ 24	5.840	4.710	2.000	1 7/8-12 U.N.	1 7/8-12 U.N.	3.097	3500	0.944

Male J.I.C. Bulkhead (37°) X Male J.I.C. (37°)



PART NUMBER	O.A.L.	DIM. B	WRENCH/HEX	PORT T1	STEM T2	SWG. RADIUS	MAX. P.S.I.G.	THROUGH HOLE
9 SS 4 MJB 6 X MJ 6	3.500	2.987	0.812	9/16-18 U.N.	9/16-18 U.N.	1.478	3500	0.250
9 SS 8 MJB 8 X MJ 8	3.805	3.258	1.000	3/4-16 U.N.	3/4-16 U.N.	1.712	3500	0.297
9 SS 8 MJB 10 X MJ 10	4.055	3.478	1.125	7/8-14 U.N.	7/8-14 U.N.	1.978	3500	0.297
9 SS 12 MJB 12 X MJ 12	4.454	3.805	1.375	1 1/16-12 U.N.	1 1/16-12 U.N.	2.288	3500	0.385
9 SS 16 MJB 16 X MJ 16	5.110	4.317	1.625	1 5/16-12 U.N.	1 5/16-12 U.N.	2.384	3500	0.550
9 SS 20 MJB 20 X MJ 20	5.740	4.730	1.875	1 5/8-12 U.N.	1 5/8-12 U.N.	2.970	3500	0.827