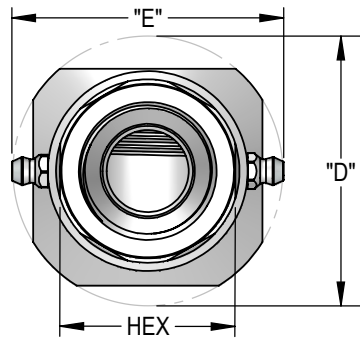
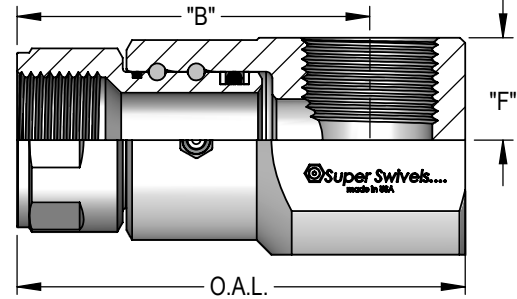


# Female BSPP X Female BSPP

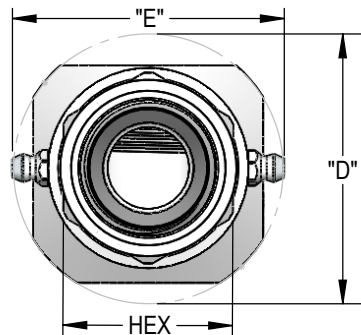


Not Available  
In Stainless Steel!

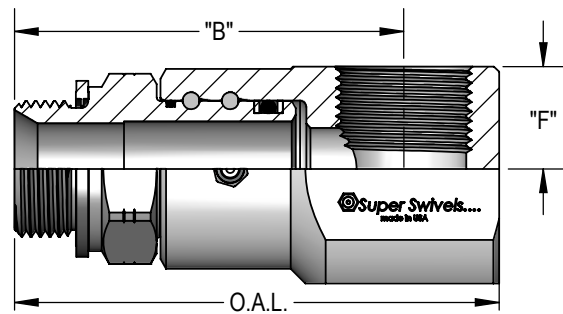


PART NUMBER	O.A.L.	DIM. B	DIM. D Ø	DIM. E	WRENCH HEX	PORT T1	STEM T2	DIM. F	MAX. PRES.	THROUGH HOLE
9 SS 4 FBSPP 4 X FBSPP 4	2.715 69.0 mm	2.255 57.3 mm	1.318 33.5 mm	1.858 47.2 mm	0.875 22.2 mm	G 1/4-19 BSPP	G 1/4-19 BSPP	0.519 13.2 mm	5,000 PSI 345 BAR	0.250 6.3 mm
9 SS 6 FBSPP 6 X FBSPP 6	2.883 73.2 mm	2.313 58.8 mm	1.450 36.8 mm	1.992 50.6 mm	1.187 30.1 mm	G 3/8-19 BSPP	G 3/8-19 BSPP	0.552 14.0 mm	5,000 PSI 345 BAR	0.312 7.9 mm
9 SS 8 DB FBSPP 8 X FBSPP 8	3.317 84.3 mm	2.686 68.2 mm	1.724 43.8 mm	2.170 55.1 mm	1.312 33.3 mm	G 1/2-14 BSPP	G 1/2-14 BSPP	0.653 16.6 mm	5,000 PSI 345 BAR	0.406 10.3 mm
9 SS 12 DB FBSPP 12 X FBSPP 12	3.722 94.5 mm	2.942 74.7 mm	2.184 55.5 mm	2.370 60.2 mm	1.500 38.1 mm	G 3/4-14 BSPP	G 3/4-14 BSPP	0.849 21.6 mm	5,000 PSI 345 BAR	0.630 16.0 mm
9 SS 16 DB FBSPP 16 X FBSPP 16	4.428 112.5 mm	3.513 89.2 mm	2.588 65.7 mm	2.610 66.3 mm	1.750 44.4 mm	G 1-11 BSPP	G 1-11 BSPP	0.982 24.9 mm	4,500 PSI 310 BAR	0.787 20.0 mm
9 SS 20 FBSPP 20 X FBSPP 20	4.890 124.2 mm	3.790 96.3 mm	3.088 78.4 mm	3.050 77.5 mm	2.125 54.0 mm	G 1 1/4-11 BSPP	G 1 1/4-11 BSPP	1.149 29.2 mm	4,000 PSI 275 BAR	0.984 25.0 mm
9 SS 24 FBSPP 24 X FBSPP 24	5.940 150.9 mm	4.670 118.6 mm	3.576 90.8 mm	3.240 82.3 mm	2.375 60.3 mm	G 1 1/2-11 BSPP	G 1 1/2-11 BSPP	1.366 34.7 mm	4,000 PSI 275 BAR	1.260 32.0 mm

# Male BSPP X Female BSPP



Not Available  
In Stainless Steel!



PART NUMBER	O.A.L.	DIM. B	DIM. D Ø	DIM. E	WRENCH HEX	PORT T1	STEM T2	DIM. F	MAX. PRES.	THROUGH HOLE
9 SS 4 MBSPP 4 X FBSPP 4	2.810 71.4 mm	2.350 59.7 mm	1.318 33.5 mm	1.858 47.2 mm	0.812 20.6 mm	G 1/4-19 BSPP	G 1/4-19 BSPP	0.519 13.2 mm	5,000 PSI 345 BAR	0.250 6.3 mm
9 SS 6 MBSPP 6 X FBSPP 6	2.947 74.9 mm	2.367 60.1 mm	1.450 36.8 mm	1.992 50.6 mm	0.937 23.8 mm	G 3/8-19 BSPP	G 3/8-19 BSPP	0.552 14.0 mm	5,000 PSI 345 BAR	0.312 7.9 mm
9 SS 8 DB MBSPP 8 X FBSPP 8	3.412 86.7 mm	2.781 70.6 mm	1.724 43.8 mm	2.170 55.1 mm	1.125 28.6 mm	G 1/2-14 BSPP	G 1/2-14 BSPP	0.653 16.6 mm	5,000 PSI 345 BAR	0.406 10.3 mm
9 SS 12 DB MBSPP 12 X FBSPP 12	3.922 99.6 mm	3.142 79.8 mm	2.184 55.5 mm	2.370 60.2 mm	1.312 33.3 mm	G 3/4-14 BSPP	G 3/4-14 BSPP	0.849 21.6 mm	5,000 PSI 345 BAR	0.630 16.0 mm
9 SS 16 DB MBSPP 16 X FBSPP 16	4.648 118.1 mm	3.733 94.8 mm	2.588 65.7 mm	2.610 66.3 mm	1.625 41.3 mm	G 1-11 BSPP	G 1-11 BSPP	0.982 24.9 mm	4,500 PSI 310 BAR	0.787 20.0 mm
9 SS 20 MBSPP 20 X FBSPP 20	5.115 129.9 mm	4.015 102.0 mm	3.088 78.4 mm	3.050 77.5 mm	2.000 50.8 mm	G 1 1/4-11 BSPP	G 1 1/4-11 BSPP	1.149 29.2 mm	4,000 PSI 275 BAR	0.984 25.0 mm
9 SS 24 MBSPP 24 X FBSPP 24	6.385 162.2 mm	5.115 129.9 mm	3.576 90.8 mm	3.240 82.3 mm	2.250 57.1 mm	G 1 1/2-11 BSPP	G 1 1/2-11 BSPP	1.366 34.7 mm	4,000 PSI 275 BAR	1.260 32.0 mm