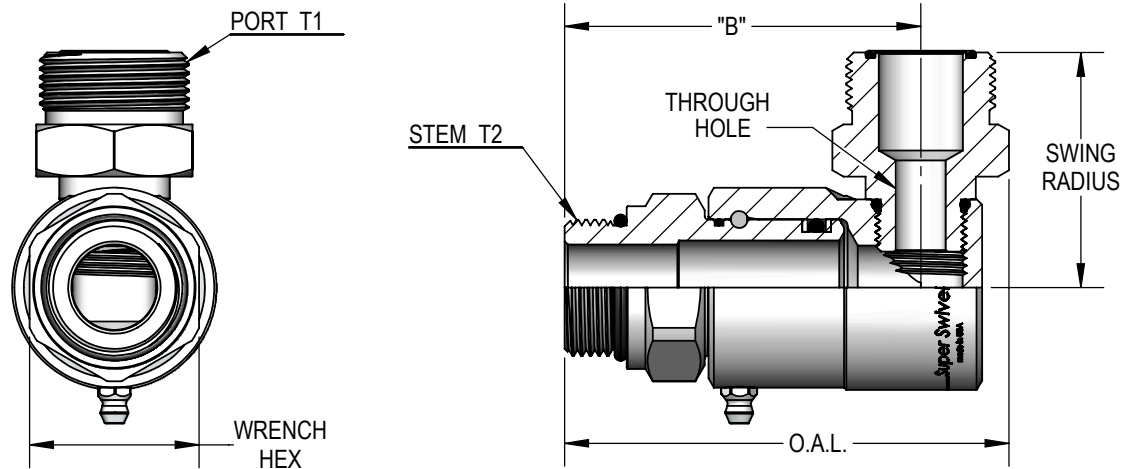


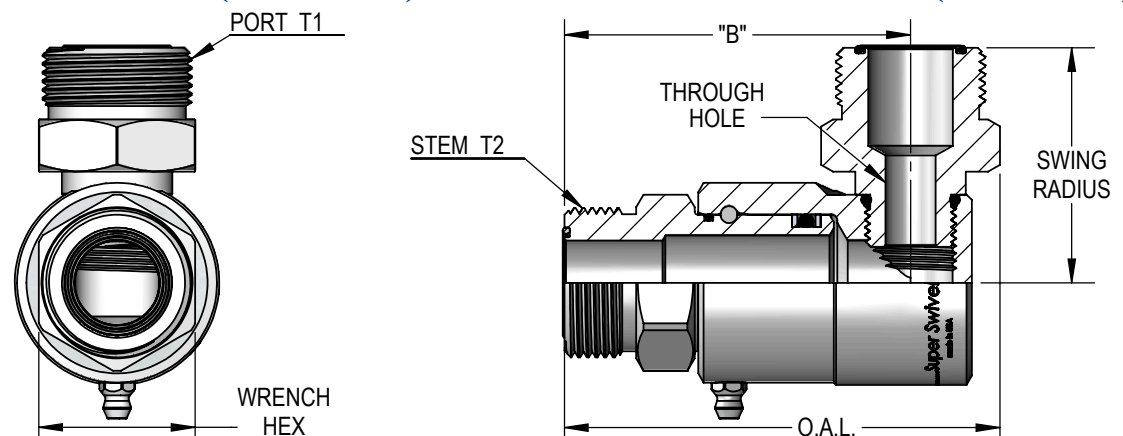
Male O-Ring (O.R.B.) X Male Face Seal (M.F.S.)



Not Available
In Stainless Steel!

PART NUMBER	O.A.L.	DIM. B	WRENCH/HEX	PORT T1	STEM T2	SWG. RADIUS	MAX. P.S.I.G.	THROUGH HOLE
9 SS 4 MO 4 X MFS 4	2.727	2.215	0.625	9/16-18 U.N.	7/16-20 U.N.	1.266	5000	0.172
9 SS 4 MO 6 X MFS 6	2.727	2.215	0.750	11/16-16 U.N.	9/16-18 U.N.	1.314	5000	0.265
9 SS 8 MO 8 X MFS 6	2.923	2.376	1.000	11/16-16 U.N.	3/4-16 U.N.	1.432	5000	0.265
9 SS 8 MO 8 X MFS 8	2.923	2.376	1.000	13/16-16 U.N.	3/4-16 U.N.	1.669	5000	0.265
9 SS 8 MO 8 X MFS 10	2.923	2.376	1.000	1-14 U.N.	3/4-16 U.N.	1.826	5000	0.265
9 SS 8 MO 10 X MFS 8	3.045	2.498	1.000	13/16-16 U.N.	7/8-14 U.N.	1.669	5000	0.265
9 SS 8 MO 10 X MFS 10	3.045	2.498	1.000	1-14 U.N.	7/8-14 U.N.	1.826	5000	0.265
9 SS 12 MO 12 X MFS 12	3.389	2.749	1.375	1 3/16-12 U.N.	11/16-12 U.N.	2.089	4500	0.389
9 SS 16 MO 16 X MFS 16	4.270	3.411	1.625	17/16-12 U.N.	15/16-12 U.N.	2.255	4000	0.484
9 SS 20 MO 20 X MFS 20	4.780	3.755	1.875	111/16-12 U.N.	15/8-12 U.N.	2.658	4000	0.718
9 SS 24 MO 24 X MFS 24	5.760	4.540	2.125	2-12 U.N.	17/8-12 U.N.	2.904	4000	0.844

Male Face Seal (M.F.S.) X Male Face Seal (M.F.S.)



Not Available
In Stainless Steel!

PART NUMBER	O.A.L.	DIM. B	PORT T1	STEM T2	WRENCH/HEX	SWING RADIUS	MAX P.S.I.G.	THROUGH HOLE
9 SS 4 MFS 4 X MFS 4	2.633	2.121	9/16-18 U.N.	9/16-18 U.N.	0.625	1.362	5000	0.172
9 SS 4 MFS 6 X MFS 6	2.688	2.176	11/16-16 U.N.	11/16-16 U.N.	0.750	1.450	5000	0.250
9 SS 8 MFS 8 X MFS 8	2.909	2.362	13/16-16 U.N.	13/16-16 U.N.	1.000	1.706	5000	0.264
9 SS 8 MFS 10 X MFS 10	3.105	2.558	1-14 U.N.	1-14 U.N.	1.125	1.826	5000	0.297
9 SS 12 MFS 12 X MFS 12	3.385	2.745	13/16-12 U.N.	13/16-12 U.N.	1.250	2.135	4500	0.378
9 SS 16 MFS 16 X MFS 16	4.190	3.316	17/16-12 U.N.	17/16-12 U.N.	1.500	2.255	4000	0.484
9 SS 20 MFS 20 X MFS 20	4.670	3.649	111/16-16 U.N.	111/16-12 U.N.	1.750	2.658	4000	0.718
9 SS 24 MFS 24 X MFS 24	5.600	4.370	2-12 U.N.	2-12 U.N.	2.125	2.845	4000	0.811